

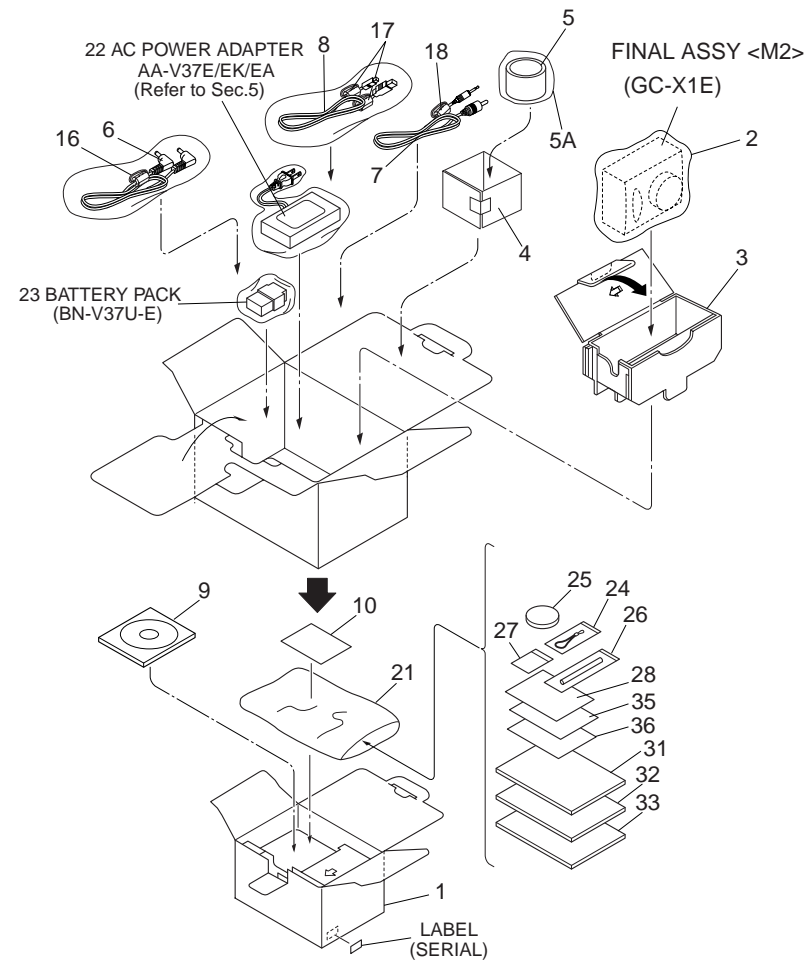
SECTION 4 PARTS LIST

SAFETY PRECAUTION

Parts identified by the \triangle symbol are critical for safety. Replace only with specified part numbers.

4.1 PACKING AND ACCESSORY ASSEMBLY <M1>

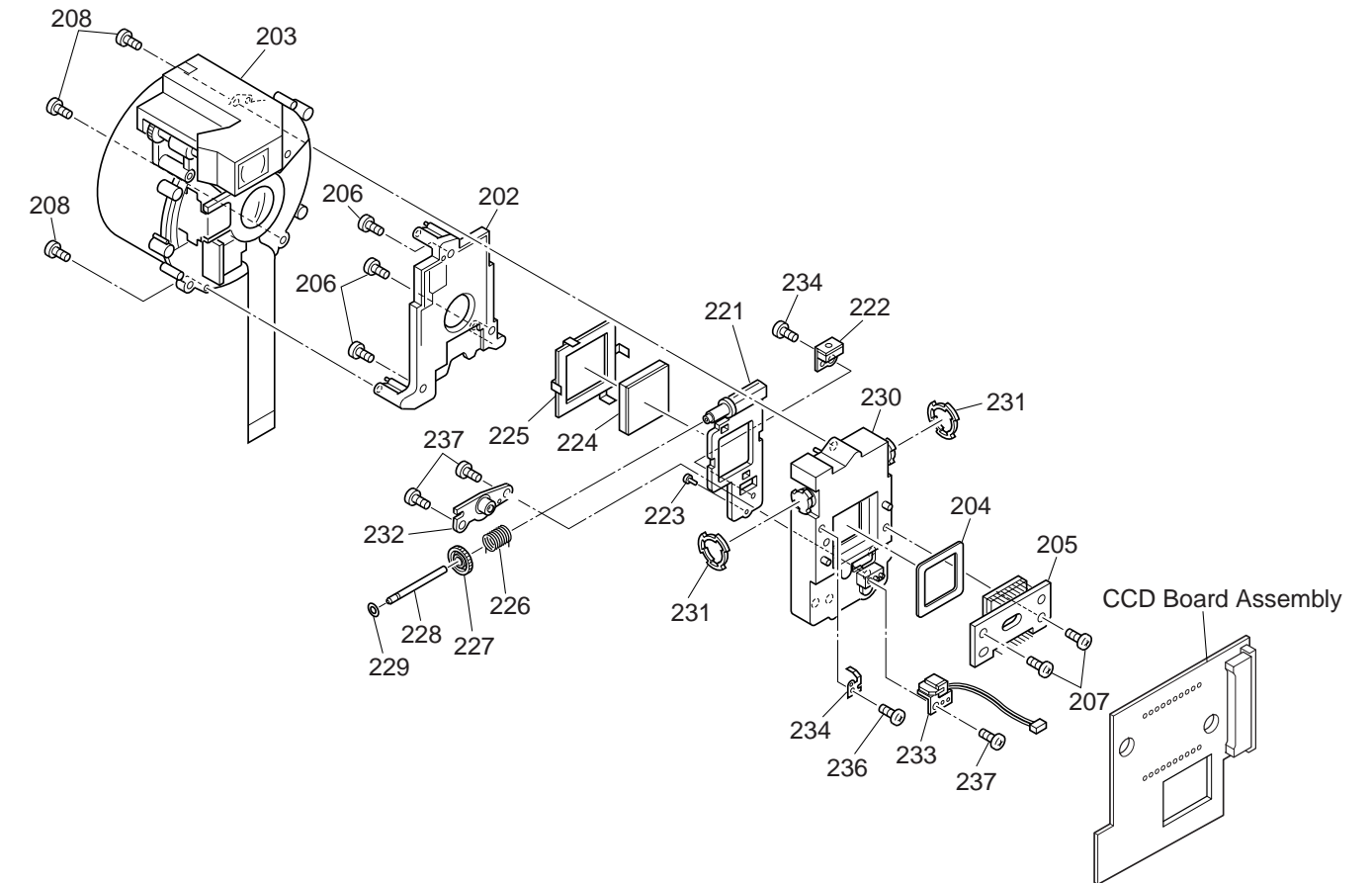
The instruction manual to be provided with this product will differ according to the destination.



4.2 OP BLOCK ASSEMBLY <M3>

BEWARE OF BOGUS PARTS

Parts that do not meet specifications may cause trouble in regard to safety and performance. We recommend that genuine JVC parts be used.



# \triangle	REF No.	PART No.	PART NAME, DESCRIPTION

PACKING AND ACCESSORY ASSEMBLY <M1>			
1	LY31465-003A	LY31465-004A	PACKING CASE,E-S
	LY31465-005A	LY31465-006A	PACKING CASE,EK-S
	LY31465-009A	LY31465-008A	PACKING CASE,E-BK
	LY31465-009A	LY31465-009A	PACKING CASE,EA
	LY31465-009A	LY31465-008A	PACKING CASE,E-BL
	LY31465-008A	LY31465-008A	PACKING CASE,E-RD
2	LY30023-016A		POLY BAG
3	LY31466-001A		CUSHION
4	LY42548-001A		SHEET
5	LY31822-001A		HOOD(OP)
5A	QPA01001505		POLY BAG
6	PEAC0449		DC PLUG CORD
7	PEAC0496		VIDEO CABLE
8	QAM0252-001		USB CABLE
9	LY31074-010A		CD ROM ASSEMBLY
10	BT-54008-2		GUARANTY CARD

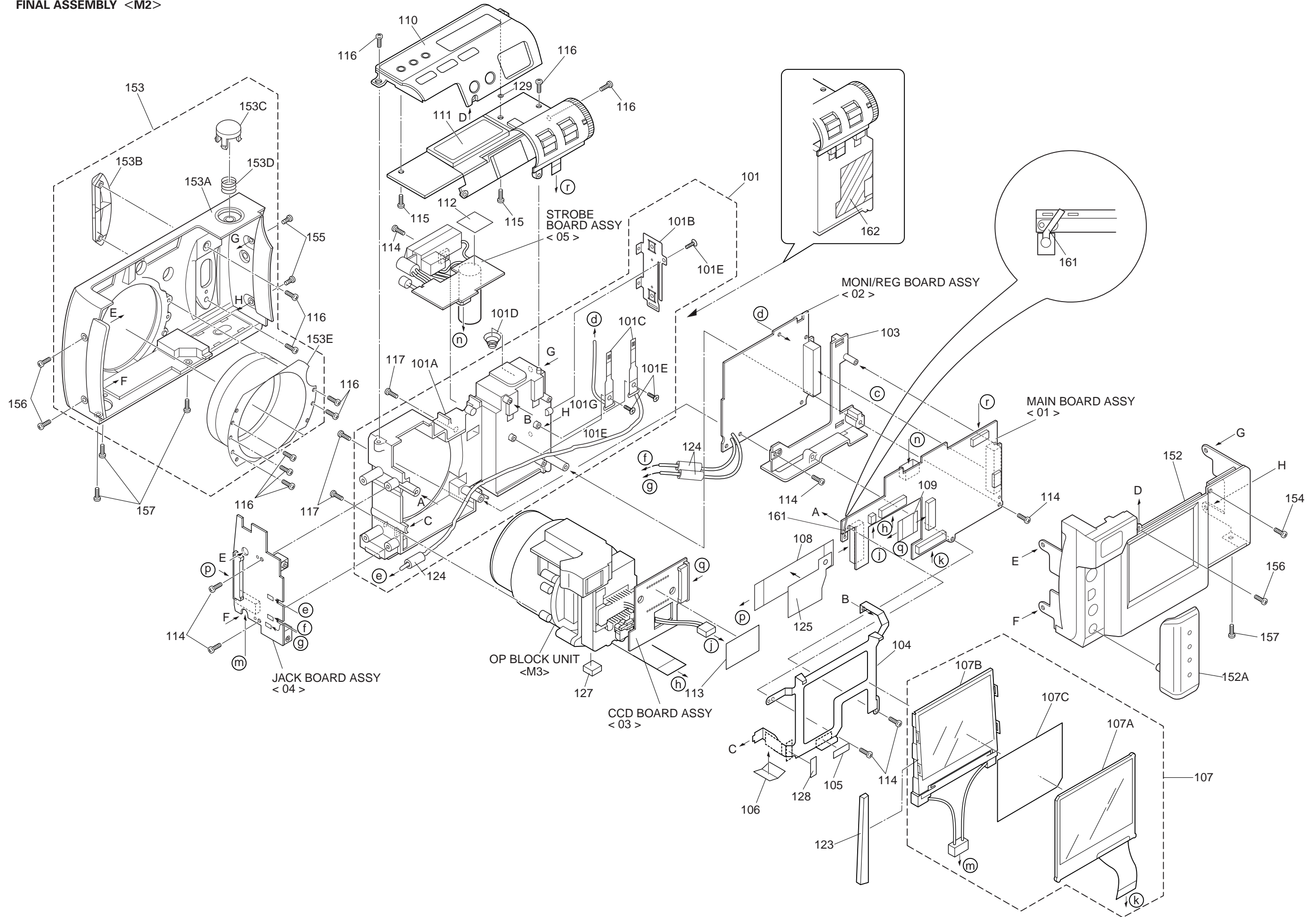
# \triangle	REF No.	PART No.	PART NAME, DESCRIPTION
16	QQR0491-002		CORE FILTER
17	QQR0491-001		CORE FILTER
18	QQR0917-001		CORE FILTER
21	QPA02003006	LY20545-003C	POLY BAG,E-S,E-BK/RD/BL,EA
	YQM30061-3	LY20545-004C	POLY BAG,EK-S
22	LY20545-003C	LY20545-005C	AC POWER ADAP. ,E-S, E-BK, /RD/BL
	LY20545-004C		AC POWER ADAP. ,EK-S
	LY20545-005C		AC POWER ADAP. ,EA
23	LY31583-003A		BATTERY PACK (BN-V37U-E)
24	LY30663-001A		HAND STRAP
25	LY31468-002A		LENS CAP
26	LY42313-001A		STRING
27	LY31737-001A		MEDIA CARD ASSEMBLY
28	YU30878		REGIST. CARD,EK-S
	BT-56001-2		WARRANTY CARD,EA
	BT-56002-2		SERVICE NET CARD,EA
\triangle 31	LYT0544-001C		INST.BOOK(EN)
\triangle 32	LYT0544-002B		INST.BOOK(GE)
\triangle 33	LYT0544-003B		INST.BOOK(FR)
35	LYT0543-005B		SHEET(HOOD)
36	LYT0543-015A		SHEET(ATT.)

# \triangle	REF No.	PART No.	PART NAME, DESCRIPTION

OP ASSEMBLY <M3>			
202	LY10207-001A		COVER
203	LY31490-001B		OP BLOCK ASSEMBLY
204	LY42069-001A		SPACER
205	LYH40084-001A		CCD BASE ASSEMBLY
206	QYSPSGT1740Z		SCREW
207	QYSPSGU1750Z		SCREW
208	QYSPSGT2050Z		SCREW
221	LY20514-001B		TILT FRAME
222	LY41875-001C		RATCH PIEACE
223	LY42071-001A		STOPPER PIN

# \triangle	REF No.	PART No.	PART NAME, DESCRIPTION
224	LY42075-001A		OPTICAL LPF
225	LY42072-001A		LPF HOLDER ASSY
226	LY42067-001A		TORSION SPRING
227	LY41870-001A		RATCH GEAR
228	LY42068-005A		MAIN PIN
229	QYWDM124025		SLIT WASHER
230	LY10206-001B		MAIN FRAME
231	LY41869-001A		SET RING
232	LY41873-001A		NUT ASSY
233	LY41874-001A		RATCH MAGNET
234	LY42070-001A		SET PLATE
235	LY42077-001B		SET SCREW
236	LY30727-001A		SCREW
237	LY30727-003A		SCREW

4.3 FINAL ASSEMBLY <M2>



#	△	REF No.	PART No.	PART NAME, DESCRIPTION	#	△	REF No.	PART No.	PART NAME, DESCRIPTION
---	---	---------	----------	------------------------	---	---	---------	----------	------------------------

CABINET AND CHASSIS ASSEMBLY <M2>

101	LY31451-001B	FRAME ASSEMBLY
101A	LY20518-001A	FRAME
101B	LY41858-001A	BKT(STOPPER)
101C	LY41860-001A	TERMINAL(BATT)
101D	LY41861-001A	SPRING(BATT.)
101E	LY30018-019A	SPECIAL SCREW
101F	QUB221-14A3A8	WIRE,BRN
101G	QUB222-05A3A8	WIRE,RED
103	LY31457-002A	PWB HOLDER ASSY,E-S,EA,EK-S
	LY31457-004A	PWB HOLDER ASSY,E-RD
	LY31457-005A	PWB HOLDER ASSY,E-BL
	LY31457-003A	PWB HOLDER ASSY,E-BK
104	LY31467-001A	HOLDER(LCD)
105	LY30029-031A	SPACER(A)
106	LY30016-085A	SPACER-A
107	-	LCD MODULE ASSEMBLY
107A	QLD0131-001	LCD MODULE
107B	QLL0084-001	BACK LIGHT
107C	LY42322-001A	SHEET
108	QUQ105-3805AA	FFC WIRE,MAIN-JACK
109	QAL0234-001	FPC WIRE,MAIN-CCD
110	LY31460-002A	TOP COVER ASSY,E-S,EA,EK-S
	LY31460-004A	TOP COVER ASSY,E-BK
	LY31460-005A	TOP COVER ASSY,E-RD
	LY31460-006A	TOP COVER ASSY,E-BL
111	LY20521-002C	OPERATION UNIT,E-S,EA,EK-S
	LY20521-003C	OPERATION UNIT,E-BK
	LY20521-004A	OPERATION UNIT,E-RD
	LY20521-005A	OPERATION UNIT,E-BL
112	LY30016-078A	SPACER-A
113	LY30029-016A	SPACER(A)
114	LY30018-060A	SPECIAL SCREW
115	LY30018-010A	SPECIAL SCREW
116	LY30018-023A	SPECIAL SCREW
117	LY30019-025A	SPECIAL SCREW
123	LY30029-067A	SPACER(A)
124	QQR1115-005	FERRITE RING
125	LY42765-001A	S.SHEET(FFC)
127	LY30029-081A	SPACER(A)
128	LY30016-068A	SPACER-A
129	LY30017-020A	SPACER-B
152	LY20519-002B	REAR COVER ASSY,E-S,EA,EK-S
	LY20519-004B	REAR COVER ASSEMBLY,E-BK
	LY20519-005A	REAR COVER ASSEMBLY,E-RD
	LY20519-006A	REAR COVER ASSEMBLY,E-BL
152A	LY31456-001A	COVER(JACK)
153	LYH20147-003A	FRONT COVER ASSY,E-S,EK-S
	LYH20147-004A	FRONT COVER ASSY,E-BK
	LYH20147-005A	FRONT COVER ASSY,EA
	LYH20147-006A	FRONT COVER ASSY,E-RD
	LYH20147-007A	FRONT COVER ASSY,E-BL

153A	LY20516-002A	FRONT COVER,E-S,EA,EK-S
	LY20516-004A	FRONT COVER,E-BK
	LY20516-005A	FRONT COVER,E-RD
	LY20516-006A	FRONT COVER,E-BL
153B	LY42320-001A	GRIP ASSEMBLY
153C	LY41854-001A	KNOB(SHUTTER)
153D	LY30002-042B	COMPRES. SPRING
153E	LY31446-001B	HOOD,E-S/RD/BL,EA,EK-S
	LY31446-002A	HOOD,E-BK
154	LY30018-023A	SPECIAL SCREW
155	LY30018-0A6A	SPECIAL SCREW,E-BK/RD/BL
	LY30018-056A	SPECIAL SCREW,E-S,EA,EK-S
156	LY30018-023A	SPECIAL SCREW,E-BK/RD/BL
	LY30018-059A	SPECIAL SCREW,E-S,EA,EK-S
157	LY30018-037A	SPECIAL SCREW,E-BK/RD/BL
	LY30018-060A	SPECIAL SCREW,E-S,EA,EK-S
161	LY30029-080A	SPACER(A)
162	LY42439-001B	HEAT SINK

4.4 ELECTRICAL PARTS LIST

#	△ REF No.	PART No.	PART NAME, DESCRIPTION

MAIN BOARD ASSEMBLY <01>			
OT1		LY30029-022A	SPACER(A)
PW1		YB10282P-06	MAIN BOARD ASSEMBLY
IC401		BA10324AF-XE	IC
IC402		UPC358G2/5/-W	IC
IC501		LB1837M	IC
IC502		LB1837M	IC
IC503		TC7S14FU	IC(DIGITAL)
IC504		TC7W74FK	IC
IC2001		HD49326AF	IC
IC2002		S-814A30AMC-W	IC
IC3001		JCY0096	IC
IC3002		74AHC1G04GW	IC
IC3501		KM416S4030CC-GL	IC
IC3502		KM416S4030CC-GL	IC
IC3503		KM416S4030CC-GL	IC
IC3504		TC7SH04FU	IC(DIGITAL)
IC3701		JCY0148	IC
IC3801		SN74AHC1G04K	IC
IC3802		TC7WH74FK	IC
IC3803		TC7WH74FK	IC
IC3804		TC7WH74FK	IC
IC3805		SN74AHC1G32K	IC
IC3806		TC7WH74FK	IC
IC3807		TC7WH74FK	IC
IC3808		TC7WH74FK	IC
IC3809		SN74AHC1G32K	IC
IC4001		JCY0135	IC
IC4005		RS5C314	IC
IC4007		M62367GP	IC
IC4008		IC-PST9327U-X	IC
IC4015		ML60851CLB	IC
IC4101		IC-PST9327U-X	IC
IC4102		S-80824ANNP-W	IC
IC4103		TC7W32FK	IC
IC4104		TC7W08FK	IC
IC4105		TC7W04FK	IC
IC4106		TC7W08FK	IC
IC4107		TC7W74FK	IC
IC4501		MBV400TC90PBA04	IC(MICRO C ROM)
IC4502		MSM56V16160D1LS	IC
IC5001		JCY0097	IC
IC5002		MSM56V16160D1LS	IC
IC5003		TC7W04FK	IC
IC5004		TC7WH74FK	IC
IC5005		SN74AHC1G08K	IC
IC5006		TC7S66FU	IC(DIGITAL)
IC5007		TC7S66FU	IC(DIGITAL)
IC5008		TC7S04FU	IC
IC5009		TC7SH08FU	IC(DIGITAL)
IC5010		TC7WH74FK	IC
IC5011		TC7WH74FK	IC
IC5012		TC7S04FU	IC
IC5501		M32310D5WG	IC
IC5503		MBV400TC90PBM04	IC(MICRO C ROM)
IC6601		TC7WH74FK	IC
Q401		2SC4617/QR/-X	TRANSISTOR
Q402		DTA144EE	TRANSISTOR

#	△ REF No.	PART No.	PART NAME, DESCRIPTION
Q501		DTC114EE	TRANSISTOR
Q502		DTC114EE	TRANSISTOR
Q503		2SC4617/RS/-X	TRANSISTOR
Q504		2SD2114K/UV/-X	TRANSISTOR
Q4001		DTA114EE	TRANSISTOR
Q4002		DTA144EE	TRANSISTOR
Q4003		2SA1774/RS/-X	TRANSISTOR
Q4004		RN1104FT	TRANSISTOR
Q4005		DTA114EE	TRANSISTOR
Q4006		2SB970/QRS/-X	TRANSISTOR
		or 2SB710/R/-X	TRANSISTOR
Q5501		2SA1774/RS/-X	TRANSISTOR
Q5502		2SA1774/RS/-X	TRANSISTOR
Q5503		2SA1774/RS/-X	TRANSISTOR
Q5504		2SA1774/RS/-X	TRANSISTOR
Q5505		2SA1774/RS/-X	TRANSISTOR
Q6605		UN9211J	TRANSISTOR
Q6607		UN911HJ	TRANSISTOR
Q6609		DTC144EE	TRANSISTOR
Q6610		UMS1N	PAIR TRANSISTOR
Q6611		2SC4617/RS/-X	TRANSISTOR
Q6612		UMS1N	PAIR TRANSISTOR
Q6613		2SA1774/RS/-X	TRANSISTOR
Q6614		XP1211	TRANSISTOR
D501		1SS355	DIODE
D4002		TLSU1002/LM/-X	LE DIODE, FOCUS
D4004		TLGU1002/KL/-X	LE DIODE, STROBE
△ D4005		MA716	DIODE
D4101		MA704	SB DIODE
R405		NRSA6AJ-105W	MG RESISTOR 1MΩ, 1/16W
R407		NRSA6AJ-105W	MG RESISTOR 1MΩ, 1/16W
R408		NRSA6AJ-103W	MG RESISTOR 10kΩ, 1/16W
R409		NRSA6AJ-104W	MG RESISTOR 100kΩ, 1/16W
R410		NRSA6AJ-243W	MG RESISTOR 24kΩ, 1/16W
R411		NRSA6AJ-103W	MG RESISTOR 10kΩ, 1/16W
R413		NRSA6AJ-472W	MG RESISTOR 4.7kΩ, 1/16W
R414		NRSA6AJ-473W	MG RESISTOR 47kΩ, 1/16W
R415		NRSA6AJ-103W	MG RESISTOR 10kΩ, 1/16W
R416		NRSA6AJ-391W	MG RESISTOR 390Ω, 1/16W
R417		NRSA6AJ-472W	MG RESISTOR 4.7kΩ, 1/16W
R418		NRSA6AJ-0R0W	MG RESISTOR 0Ω, 1/16W
R419		NRSA6AJ-104W	MG RESISTOR 100kΩ, 1/16W
R420		NRSA6AJ-683W	MG RESISTOR 68kΩ, 1/16W
R421		NRSA6AJ-822W	MG RESISTOR 8.2kΩ, 1/16W
R422		NRSA6AJ-102W	MG RESISTOR 1kΩ, 1/16W
R423		NRSA6AJ-334W	MG RESISTOR 330kΩ, 1/16W
R424		NRSA6AJ-104W	MG RESISTOR 100kΩ, 1/16W
R425		NRSA6AJ-102W	MG RESISTOR 1kΩ, 1/16W
R426		NRSA6AJ-184W	MG RESISTOR 180kΩ, 1/16W
R427		NRSA6AJ-333W	MG RESISTOR 33kΩ, 1/16W
R428		NRSA6AJ-223W	MG RESISTOR 22kΩ, 1/16W
R502		NRSA6AJ-103W	MG RESISTOR 10kΩ, 1/16W
R505		NRSA6AJ-513W	MG RESISTOR 51kΩ, 1/16W
R506		NRSA6AJ-303W	MG RESISTOR 30kΩ, 1/16W
R507		NRSA6AJ-103W	MG RESISTOR 10kΩ, 1/16W
R510		NRSA6AJ-223W	MG RESISTOR 22kΩ, 1/16W
R511		NRSA6AJ-223W	MG RESISTOR 22kΩ, 1/16W
R512		NRSA6AJ-0R0W	MG RESISTOR 0Ω, 1/16W
R513		NRSA6AJ-271W	MG RESISTOR 270Ω, 1/16W
R514		NRSA6AJ-333W	MG RESISTOR 33kΩ, 1/16W
R515		NRSA6AJ-333W	MG RESISTOR 33kΩ, 1/16W

#	△	REF No.	PART No.	PART NAME, DESCRIPTION	#	△	REF No.	PART No.	PART NAME, DESCRIPTION
R516			NRSA6AJ-271W	MG RESISTOR	R3128			NRSA6AJ-220W	MG RESISTOR
R517			NRSA6AJ-0R0W	MG RESISTOR	R3129			NRSA6AJ-220W	MG RESISTOR
R518			NRSA6AJ-0R0W	MG RESISTOR	R3131			NRSA6AJ-473W	MG RESISTOR
R519			NRSA6AJ-103W	MG RESISTOR	R3132			NRSA6AJ-473W	MG RESISTOR
R520			NRSA6AJ-223W	MG RESISTOR	R3133			NRSA6AJ-473W	MG RESISTOR
R2001			NRSA6AJ-100W	MG RESISTOR	R3134			NRSA6AJ-473W	MG RESISTOR
R2002			NRSA6AJ-100W	MG RESISTOR	R3135			NRSA6AJ-473W	MG RESISTOR
R2003			NRSA6AJ-243W	MG RESISTOR	R3176			NRSA6AJ-151W	MG RESISTOR
R2004			NRSA6AJ-220W	MG RESISTOR	R3177			NRSA6AJ-151W	MG RESISTOR
R2008			NRSA6AJ-0R0W	MG RESISTOR	R3178			NRSA6AJ-151W	MG RESISTOR
R2011			NRSA6AJ-0R0W	MG RESISTOR	R3182			NRSA6AJ-0R0W	MG RESISTOR
R3002			NRSA6AJ-0R0W	MG RESISTOR	R3183			NRSA6AJ-0R0W	MG RESISTOR
R3003			NRSA6AJ-0R0W	MG RESISTOR	R3184			NRSA6AJ-0R0W	MG RESISTOR
R3005			NRSA6AJ-473W	MG RESISTOR	R3198			NRSA6AJ-0R0W	MG RESISTOR
R3007			NRSA6AJ-103W	MG RESISTOR	R3199			NRSA6AJ-0R0W	MG RESISTOR
R3008			NRSA6AJ-103W	MG RESISTOR	R3200			NRSA6AJ-0R0W	MG RESISTOR
R3009			NRSA6AJ-103W	MG RESISTOR	R3201			NRSA6AJ-0R0W	MG RESISTOR
R3010			NRSA6AJ-103W	MG RESISTOR	R3202			NRSA6AJ-0R0W	MG RESISTOR
R3011			NRSA6AJ-103W	MG RESISTOR	R3203			NRSA6AJ-0R0W	MG RESISTOR
R3012			NRSA6AJ-103W	MG RESISTOR	R3204			NRSA6AJ-0R0W	MG RESISTOR
R3013			NRSA6AJ-332W	MG RESISTOR	R3205			NRSA6AJ-0R0W	MG RESISTOR
R3014			NRSA6AJ-103W	MG RESISTOR	R3206			NRSA6AJ-0R0W	MG RESISTOR
R3015			NRSA6AJ-103W	MG RESISTOR	R3207			NRSA6AJ-0R0W	MG RESISTOR
R3016			NRSA6AJ-103W	MG RESISTOR	R3248			NRSA6AJ-0R0W	MG RESISTOR
R3017			NRSA6AJ-103W	MG RESISTOR	R3249			NRSA6AJ-103W	MG RESISTOR
R3018			NRSA6AJ-103W	MG RESISTOR	R3250			NRSA6AJ-103W	MG RESISTOR
R3019			NRSA6AJ-103W	MG RESISTOR	R3271			NRSA6AJ-0R0W	MG RESISTOR
R3020			NRSA6AJ-103W	MG RESISTOR	R3272			NRSA6AJ-103W	MG RESISTOR
R3021			NRSA6AJ-103W	MG RESISTOR	R3273			NRSA6AJ-103W	MG RESISTOR
R3022			NRSA6AJ-103W	MG RESISTOR	R3274			NRSA6AJ-0R0W	MG RESISTOR
R3023			NRSA6AJ-103W	MG RESISTOR	R3295			NRSA6AJ-102W	MG RESISTOR
R3024			NRSA6AJ-473W	MG RESISTOR	R3296			NRSA6AJ-102W	MG RESISTOR
R3031			NRSA6AJ-0R0W	MG RESISTOR	R3297			NRSA6AJ-103W	MG RESISTOR
R3032			NRSA6AJ-0R0W	MG RESISTOR	R3503			NRSA6AJ-473W	MG RESISTOR
R3033			NRSA6AJ-0R0W	MG RESISTOR	R3504			NRSA6AJ-0R0W	MG RESISTOR
R3034			NRSA6AJ-0R0W	MG RESISTOR	R3505			NRSA6AJ-0R0W	MG RESISTOR
R3035			NRSA6AJ-0R0W	MG RESISTOR	R3506			NRSA6AJ-0R0W	MG RESISTOR
R3036			NRSA6AJ-0R0W	MG RESISTOR	R3507			NRSA6AJ-0R0W	MG RESISTOR
R3037			NRSA6AJ-0R0W	MG RESISTOR	R3508			NRSA6AJ-0R0W	MG RESISTOR
R3038			NRSA6AJ-0R0W	MG RESISTOR	R3722			NRSA6AJ-473W	MG RESISTOR
R3039			NRSA6AJ-0R0W	MG RESISTOR	R3723			NRSA6AJ-473W	MG RESISTOR
R3040			NRSA6AJ-0R0W	MG RESISTOR	R3724			NRSA6AJ-0R0W	MG RESISTOR
R3041			NRSA6AJ-0R0W	MG RESISTOR	R3725			NRSA6AJ-473W	MG RESISTOR
R3042			NRSA6AJ-103W	MG RESISTOR	R3726			NRSA6AJ-473W	MG RESISTOR
R3043			NRSA6AJ-103W	MG RESISTOR	R3727			NRSA6AJ-473W	MG RESISTOR
R3044			NRSA6AJ-103W	MG RESISTOR	R3728			NRSA6AJ-473W	MG RESISTOR
R3072			NRSA6AJ-0R0W	MG RESISTOR	R3729			NRSA6AJ-473W	MG RESISTOR
R3073			NRSA6AJ-0R0W	MG RESISTOR	R3730			NRSA6AJ-473W	MG RESISTOR
R3074			NRSA6AJ-0R0W	MG RESISTOR	R3731			NRSA6AJ-473W	MG RESISTOR
R3115			NRSA6AJ-0R0W	MG RESISTOR	R3732			NRSA6AJ-473W	MG RESISTOR
R3116			NRSA6AJ-0R0W	MG RESISTOR	R3733			NRSA6AJ-473W	MG RESISTOR
R3118			NRSA6AJ-0R0W	MG RESISTOR	R3734			NRSA6AJ-473W	MG RESISTOR
R3119			NRSA6AJ-220W	MG RESISTOR	R3735			NRSA6AJ-473W	MG RESISTOR
R3120			NRSA6AJ-220W	MG RESISTOR	R3736			NRSA6AJ-473W	MG RESISTOR
R3121			NRSA6AJ-680W	MG RESISTOR	R3737			NRSA6AJ-473W	MG RESISTOR
R3122			NRSA6AJ-680W	MG RESISTOR	R3738			NRSA6AJ-473W	MG RESISTOR
R3123			NRSA6AJ-0R0W	MG RESISTOR	R3739			NRSA6AJ-332W	MG RESISTOR
R3124			NRSA6AJ-680W	MG RESISTOR	R3740			NRSA6AJ-473W	MG RESISTOR
R3125			NRSA6AJ-680W	MG RESISTOR	R3801			NRSA6AJ-0R0W	MG RESISTOR
R3126			NRSA6AJ-680W	MG RESISTOR	R4001			NRSA6AJ-103W	MG RESISTOR
R3127			NRSA6AJ-680W	MG RESISTOR	R4002			NRSA6AJ-0R0W	MG RESISTOR

#	△ REF No.	PART No.	PART NAME, DESCRIPTION	#	△ REF No.	PART No.	PART NAME, DESCRIPTION
R4003		NRSA6AJ-0R0W	MG RESISTOR 0Ω,1/16W	R4076		NRSA6AJ-103W	MG RESISTOR 10kΩ,1/16W
R4004		NRSA6AJ-0R0W	MG RESISTOR 0Ω,1/16W	R4078		NRSA6AJ-220W	MG RESISTOR 22Ω,1/16W
R4005		NRSA6AJ-0R0W	MG RESISTOR 0Ω,1/16W	R4079		NRSA6AJ-220W	MG RESISTOR 22Ω,1/16W
R4006		NRSA6AJ-0R0W	MG RESISTOR 0Ω,1/16W	R4080		NRSA6AJ-152W	MG RESISTOR 1.5kΩ,1/16W
R4007		NRSA6AJ-0R0W	MG RESISTOR 0Ω,1/16W	R4081		NRSA6AJ-103W	MG RESISTOR 10kΩ,1/16W
R4008		NRSA6AJ-0R0W	MG RESISTOR 0Ω,1/16W	R4082		NRSA6AJ-105W	MG RESISTOR 1MΩ,1/16W
R4009		NRSA6AJ-0R0W	MG RESISTOR 0Ω,1/16W	R4083		NRSA02J-220X	MG RESISTOR 22Ω,1/10W
R4010		NRSA6AJ-0R0W	MG RESISTOR 0Ω,1/16W	R4084		NRSA02J-220X	MG RESISTOR 22Ω,1/10W
R4011		NRSA6AJ-103W	MG RESISTOR 10kΩ,1/16W	R4085		NRSA6AJ-102W	MG RESISTOR 1kΩ,1/16W
R4012		NRSA6AJ-103W	MG RESISTOR 10kΩ,1/16W	R4101		NRSA6AJ-0R0W	MG RESISTOR 0Ω,1/16W
R4013		NRSA6AJ-103W	MG RESISTOR 10kΩ,1/16W	R4102		NRSA6AJ-103W	MG RESISTOR 10kΩ,1/16W
R4014		NRSA6AJ-271W	MG RESISTOR 270Ω,1/16W	R4103		NRSA6AJ-104W	MG RESISTOR 100kΩ,1/16W
R4016		NRSA6AJ-103W	MG RESISTOR 10kΩ,1/16W	R4104		NRSA6AJ-104W	MG RESISTOR 100kΩ,1/16W
R4017		NRSA6AJ-103W	MG RESISTOR 10kΩ,1/16W	R4105		NRSA6AJ-0R0W	MG RESISTOR 0Ω,1/16W
R4018		NRSA6AJ-103W	MG RESISTOR 10kΩ,1/16W	R4106		NRSA6AJ-105W	MG RESISTOR 1MΩ,1/16W
R4019		NRSA6AJ-103W	MG RESISTOR 10kΩ,1/16W	R4107		NRSA6AJ-0R0W	MG RESISTOR 0Ω,1/16W
R4020		NRSA6AJ-103W	MG RESISTOR 10kΩ,1/16W	R4108		NRSA6AJ-0R0W	MG RESISTOR 0Ω,1/16W
R4021		NRSA6AJ-103W	MG RESISTOR 10kΩ,1/16W	R4184		NRSA6AJ-471W	MG RESISTOR 470Ω,1/16W
R4022		NRSA6AJ-103W	MG RESISTOR 10kΩ,1/16W	R4185		NRSA6AJ-0R0W	MG RESISTOR 0Ω,1/16W
R4023		NRSA6AJ-103W	MG RESISTOR 10kΩ,1/16W	R4501		NRSA6AJ-0R0W	MG RESISTOR 0Ω,1/16W
R4024		NRSA6AJ-102W	MG RESISTOR 1kΩ,1/16W	R5001		NRSA6AJ-123W	MG RESISTOR 12kΩ,1/16W
R4025		NRSA6AJ-103W	MG RESISTOR 10kΩ,1/16W	R5002		NRSA6AJ-103W	MG RESISTOR 10kΩ,1/16W
R4026		NRSA6AJ-103W	MG RESISTOR 10kΩ,1/16W	R5003		NRSA6AJ-123W	MG RESISTOR 12kΩ,1/16W
R4028		NRSA6AJ-103W	MG RESISTOR 10kΩ,1/16W	R5004		NRSA6AJ-103W	MG RESISTOR 10kΩ,1/16W
R4029		NRSA6AJ-103W	MG RESISTOR 10kΩ,1/16W	R5005		NRSA6AJ-123W	MG RESISTOR 12kΩ,1/16W
R4030		NRSA6AJ-103W	MG RESISTOR 10kΩ,1/16W	R5006		NRSA6AJ-103W	MG RESISTOR 10kΩ,1/16W
R4031		NRSA6AJ-103W	MG RESISTOR 10kΩ,1/16W	R5007		NRSA6AJ-0R0W	MG RESISTOR 0Ω,1/16W
R4032		NRSA6AJ-0R0W	MG RESISTOR 0Ω,1/16W	R5008		NRSA6AJ-0R0W	MG RESISTOR 0Ω,1/16W
R4034		NRSA6AJ-0R0W	MG RESISTOR 0Ω,1/16W	R5009		NRSA6AJ-102W	MG RESISTOR 1kΩ,1/16W
R4035		NRSA6AJ-103W	MG RESISTOR 10kΩ,1/16W	R5010		NRSA6AJ-0R0W	MG RESISTOR 0Ω,1/16W
R4036		NRSA6AJ-222W	MG RESISTOR 2.2kΩ,1/16W	R5013		NRSA6AJ-0R0W	MG RESISTOR 0Ω,1/16W
R4037		NRSA6AJ-104W	MG RESISTOR 100kΩ,1/16W	R5014		NRSA6AJ-0R0W	MG RESISTOR 0Ω,1/16W
R4038		NRSA6AJ-0R0W	MG RESISTOR 0Ω,1/16W	R5015		NRSA6AJ-0R0W	MG RESISTOR 0Ω,1/16W
R4039		NRSA6AJ-0R0W	MG RESISTOR 0Ω,1/16W	R5017		NRSA6AJ-0R0W	MG RESISTOR 0Ω,1/16W
R4040		NRSA6AJ-0R0W	MG RESISTOR 0Ω,1/16W	R5018		NRSA6AJ-272W	MG RESISTOR 2.7kΩ,1/16W
R4041		NRSA6AJ-0R0W	MG RESISTOR 0Ω,1/16W	R5019		NRSA6AJ-272W	MG RESISTOR 2.7kΩ,1/16W
R4042		NRSA6AJ-0R0W	MG RESISTOR 0Ω,1/16W	R5020		NRSA6AJ-272W	MG RESISTOR 2.7kΩ,1/16W
R4043		NRSA6AJ-0R0W	MG RESISTOR 0Ω,1/16W	R5040		NRSA6AJ-0R0W	MG RESISTOR 0Ω,1/16W
R4044		NRSA6AJ-473W	MG RESISTOR 47kΩ,1/16W	R5041		NRSA6AJ-0R0W	MG RESISTOR 0Ω,1/16W
R4046		NRSA6AJ-103W	MG RESISTOR 10kΩ,1/16W	R5042		NRSA6AJ-102W	MG RESISTOR 1kΩ,1/16W
R4047		NRSA6AJ-103W	MG RESISTOR 10kΩ,1/16W	R5044		NRSA6AJ-0R0W	MG RESISTOR 0Ω,1/16W
R4048		NRSA6AJ-103W	MG RESISTOR 10kΩ,1/16W	R5045		NRSA6AJ-0R0W	MG RESISTOR 0Ω,1/16W
R4049		NRSA6AJ-103W	MG RESISTOR 10kΩ,1/16W	R5046		NRSA6AJ-563W	MG RESISTOR 56kΩ,1/16W
R4050		NRSA6AJ-103W	MG RESISTOR 10kΩ,1/16W	R5047		NRSA6AJ-0R0W	MG RESISTOR 0Ω,1/16W
R4052		NRSA6AJ-473W	MG RESISTOR 47kΩ,1/16W	R5048		NRSA6AJ-563W	MG RESISTOR 56kΩ,1/16W
R4055		NRSA6AJ-103W	MG RESISTOR 10kΩ,1/16W	R5049		NRSA6AJ-0R0W	MG RESISTOR 0Ω,1/16W
R4056		NRSA6AJ-103W	MG RESISTOR 10kΩ,1/16W	R5050		NRSA6AJ-563W	MG RESISTOR 56kΩ,1/16W
R4057		NRSA6AJ-104W	MG RESISTOR 100kΩ,1/16W	R5051		NRSA6AJ-0R0W	MG RESISTOR 0Ω,1/16W
R4058		NRSA6AJ-103W	MG RESISTOR 10kΩ,1/16W	R5052		NRSA6AJ-563W	MG RESISTOR 56kΩ,1/16W
R4059		NRSA6AJ-823W	MG RESISTOR 82kΩ,1/16W	R5053		NRSA6AJ-0R0W	MG RESISTOR 0Ω,1/16W
R4060		NRSA6AJ-562W	MG RESISTOR 5.6kΩ,1/16W	R5054		NRSA6AJ-0R0W	MG RESISTOR 0Ω,1/16W
R4061		NRSA6AJ-473W	MG RESISTOR 47kΩ,1/16W	R5055		NRSA6AJ-0R0W	MG RESISTOR 0Ω,1/16W
△ R4062		NRSA6AJ-102W	MG RESISTOR 1kΩ,1/16W	R5056		NRSA6AJ-0R0W	MG RESISTOR 0Ω,1/16W
△ R4063		NRSA6AJ-331W	MG RESISTOR 330Ω,1/16W	R5060		NRSA6AJ-0R0W	MG RESISTOR 0Ω,1/16W
R4064		NRSA6AJ-103W	MG RESISTOR 10kΩ,1/16W	R5063		NRSA6AJ-0R0W	MG RESISTOR 0Ω,1/16W
R4065		NRSA6AJ-103W	MG RESISTOR 10kΩ,1/16W	R5064		NRSA6AJ-103W	MG RESISTOR 10kΩ,1/16W
R4066		NRSA6AJ-103W	MG RESISTOR 10kΩ,1/16W	R5065		NRSA6AJ-103W	MG RESISTOR 10kΩ,1/16W
R4067		NRSA6AJ-0R0W	MG RESISTOR 0Ω,1/16W	R5066		NRSA6AJ-0R0W	MG RESISTOR 0Ω,1/16W
R4071		NRSA6AJ-103W	MG RESISTOR 10kΩ,1/16W	R5067		NRSA6AJ-0R0W	MG RESISTOR 0Ω,1/16W
R4072		NRSA6AJ-220W	MG RESISTOR 22Ω,1/16W	R5068		NRSA6AJ-0R0W	MG RESISTOR 0Ω,1/16W
R4075		NRSA6AJ-103W	MG RESISTOR 10kΩ,1/16W	R5092		NRSA6AJ-0R0W	MG RESISTOR 0Ω,1/16W

#	△	REF No.	PART No.	PART NAME, DESCRIPTION	#	△	REF No.	PART No.	PART NAME, DESCRIPTION	
R5094			NRSA6AJ-0R0W	MG RESISTOR	0Ω,1/16W	RA5026		NRZ0034-0R0W	NET RESISTOR	0Ω
R5095			NRSA6AJ-0R0W	MG RESISTOR	0Ω,1/16W	RA5027		NRZ0034-0R0W	NET RESISTOR	0Ω
R5096			NRSA6AJ-0R0W	MG RESISTOR	0Ω,1/16W	RA5028		NRZ0034-0R0W	NET RESISTOR	0Ω
R5097			NRSA6AJ-0R0W	MG RESISTOR	0Ω,1/16W	RA5029		NRZ0034-0R0W	NET RESISTOR	0Ω
R5154			NRSA6AJ-0R0W	MG RESISTOR	0Ω,1/16W	C402		NBE90JM-106X	T CAPACITOR	10μF,6.3V
R5155			NRSA6AJ-0R0W	MG RESISTOR	0Ω,1/16W	C403		NCFA1AZ-104W	CAPACITOR	0.1μF,10V
R5158			NRSA6AJ-0R0W	MG RESISTOR	0Ω,1/16W	C410		NCBA1CK-103W	CAPACITOR	0.01μF,16V
R5159			NRSA6AJ-472W	MG RESISTOR	4.7kΩ,1/16W	C411		NCFA1AZ-104W	CAPACITOR	0.1μF,10V
R5268			NRSA6AJ-0R0W	MG RESISTOR	0Ω,1/16W	C414		NCFA1AZ-104W	CAPACITOR	0.1μF,10V
R5501			NRSA6AJ-473W	MG RESISTOR	47kΩ,1/16W	C416		NCFA1AZ-104W	CAPACITOR	0.1μF,10V
R5502			NRSA6AJ-563W	MG RESISTOR	56kΩ,1/16W	C418		NCB21AK-105X	CAPACITOR	1μF,10V
R5503			NRSA6AJ-103W	MG RESISTOR	10kΩ,1/16W	C419		NCB21AK-105X	CAPACITOR	1μF,10V
R5506			NRSA6AJ-0R0W	MG RESISTOR	0Ω,1/16W	C421		NCBA1CK-103W	CAPACITOR	0.01μF,16V
R5510			NRSA6AJ-473W	MG RESISTOR	47kΩ,1/16W	C425		NCFA1AZ-104W	CAPACITOR	0.1μF,10V
R5513			NRSA6AJ-0R0W	MG RESISTOR	0Ω,1/16W	C501		NBE90JM-106X	T CAPACITOR	10μF,6.3V
R5514			NRSA6AJ-0R0W	MG RESISTOR	0Ω,1/16W	C502		NCFA1AZ-104W	CAPACITOR	0.1μF,10V
R5515			NRSA6AJ-0R0W	MG RESISTOR	0Ω,1/16W	C503		NBE21AM-106X	T CAPACITOR	10μF,10V
R5517			NRSA6AJ-473W	MG RESISTOR	47kΩ,1/16W	C504		NCFA1AZ-104W	CAPACITOR	0.1μF,10V
R5520			NRSA6AJ-563W	MG RESISTOR	56kΩ,1/16W	C505		NBE21AM-106X	T CAPACITOR	10μF,10V
R5521			NRSA6AJ-0R0W	MG RESISTOR	0Ω,1/16W	C506		NCFA1AZ-104W	CAPACITOR	0.1μF,10V
R5523			NRVA6AD-151W	CMF RESISTOR	150Ω,1/16W	C509		NCFA1AZ-104W	CAPACITOR	0.1μF,10V
R5524			NRSA6AJ-331W	MG RESISTOR	330Ω,1/16W	C510		NCFA1AZ-104W	CAPACITOR	0.1μF,10V
R5525			NRSA6AJ-331W	MG RESISTOR	330Ω,1/16W	C511		NCFA1AZ-104W	CAPACITOR	0.1μF,10V
R5526			NRVA6AD-151W	CMF RESISTOR	150Ω,1/16W	C512		NCFA1AZ-104W	CAPACITOR	0.1μF,10V
R5527			NRSA6AJ-222W	MG RESISTOR	2.2kΩ,1/16W	C2001		NCFA1AZ-104W	CAPACITOR	0.1μF,10V
R5528			NRSA6AJ-0R0W	MG RESISTOR	0Ω,1/16W	C2002		NCFA1AZ-104W	CAPACITOR	0.1μF,10V
R5530			NRVA6AD-130W	CMF RESISTOR	13Ω,1/16W	C2003		NCFA1AZ-104W	CAPACITOR	0.1μF,10V
R5531			NRVA6AD-131W	CMF RESISTOR	130Ω,1/16W	C2004		NCFA1AZ-104W	CAPACITOR	0.1μF,10V
R5532			NRSA6AJ-222W	MG RESISTOR	2.2kΩ,1/16W	C2005		NCFA1AZ-104W	CAPACITOR	0.1μF,10V
R5533			NRVA6AD-470W	CMF RESISTOR	47Ω,1/16W	C2006		NBE90JM-106X	T CAPACITOR	10μF,6.3V
R5534			NRVA6AD-101W	CMF RESISTOR	100Ω,1/16W	C2007		NCFA1AZ-104W	CAPACITOR	0.1μF,10V
R5535			NRSA6AJ-222W	MG RESISTOR	2.2kΩ,1/16W	C2008		NCFA1AZ-104W	CAPACITOR	0.1μF,10V
R5537			NRSA6AJ-473W	MG RESISTOR	47kΩ,1/16W	C2009		NCFA1AZ-104W	CAPACITOR	0.1μF,10V
R5538			NRSA6AJ-0R0W	MG RESISTOR	0Ω,1/16W	C2010		NCFA1AZ-104W	CAPACITOR	0.1μF,10V
R5540			NRSA6AJ-0R0W	MG RESISTOR	0Ω,1/16W	C2011		NCB21CK-473X	CAPACITOR	0.047μF,16V
R5542			NRSA6AJ-0R0W	MG RESISTOR	0Ω,1/16W	C2012		NCBA1CK-223W	CAPACITOR	0.022μF,16V
R5543			NRSA6AJ-0R0W	MG RESISTOR	0Ω,1/16W	C2013		NCB21CK-105X	CAPACITOR	1μF,16V
R5544			NRSA6AJ-473W	MG RESISTOR	47kΩ,1/16W	C2015		NBE90JM-106X	T CAPACITOR	10μF,6.3V
R5545			NRSA6AJ-0R0W	MG RESISTOR	0Ω,1/16W	C2017		NBE90JM-106X	T CAPACITOR	10μF,6.3V
R6603			NRSA63J-822X	MG RESISTOR	8.2kΩ,1/16W	C3001		NCFA1AZ-104W	CAPACITOR	0.1μF,10V
R6609			NRSA63J-683X	MG RESISTOR	68kΩ,1/16W	C3002		NCFA1AZ-104W	CAPACITOR	0.1μF,10V
R6610			NRSA63J-104X	MG RESISTOR	100kΩ,1/16W	C3003		NCFA1AZ-104W	CAPACITOR	0.1μF,10V
R6612			NRSA63J-333X	MG RESISTOR	33kΩ,1/16W	C3004		NCFA1AZ-104W	CAPACITOR	0.1μF,10V
R6613			NRSA63J-335X	MG RESISTOR	3.3MΩ,1/16W	C3005		NCFA1AZ-104W	CAPACITOR	0.1μF,10V
R6617			NRSA63J-684X	MG RESISTOR	680kΩ,1/16W	C3006		NCFA1AZ-104W	CAPACITOR	0.1μF,10V
R6621			NRSA63J-184X	MG RESISTOR	180kΩ,1/16W	C3007		NCFA1AZ-104W	CAPACITOR	0.1μF,10V
R6622			NRSA63J-823X	MG RESISTOR	82kΩ,1/16W	C3008		NCFA1AZ-104W	CAPACITOR	0.1μF,10V
R6623			NRSA63J-473X	MG RESISTOR	47kΩ,1/16W	C3009		NCFA1AZ-104W	CAPACITOR	0.1μF,10V
R6625			NRSA63J-473X	MG RESISTOR	47kΩ,1/16W	C3010		NCFA1AZ-104W	CAPACITOR	0.1μF,10V
R6626			NRSA63J-474X	MG RESISTOR	470kΩ,1/16W	C3011		NCFA1AZ-104W	CAPACITOR	0.1μF,10V
RA2001			NRZ0034-100W	NET RESISTOR	10Ω	C3012		NCFA1AZ-104W	CAPACITOR	0.1μF,10V
RA2002			NRZ0034-100W	NET RESISTOR	10Ω	C3013		NCFA1AZ-104W	CAPACITOR	0.1μF,10V
RA3001			NRZ0034-0R0W	NET RESISTOR	0Ω	C3014		NCFA1AZ-104W	CAPACITOR	0.1μF,10V
RA3002			NRZ0034-0R0W	NET RESISTOR	0Ω	C3015		NCFA1AZ-104W	CAPACITOR	0.1μF,10V
RA3003			NRZ0034-0R0W	NET RESISTOR	0Ω	C3016		NCFA1AZ-104W	CAPACITOR	0.1μF,10V
RA3004			NRZ0034-0R0W	NET RESISTOR	0Ω	C3017		NCFA1AZ-104W	CAPACITOR	0.1μF,10V
RA3005			NRZ0034-0R0W	NET RESISTOR	0Ω	C3018		NCFA1AZ-104W	CAPACITOR	0.1μF,10V
RA3006			NRZ0034-0R0W	NET RESISTOR	0Ω	C3019		NCFA1AZ-104W	CAPACITOR	0.1μF,10V
RA3007			NRZ0034-0R0W	NET RESISTOR	0Ω	C3020		NCFA1AZ-104W	CAPACITOR	0.1μF,10V
RA5024			NRZ0034-0R0W	NET RESISTOR	0Ω	C3021		NCFA1AZ-104W	CAPACITOR	0.1μF,10V
RA5025			NRZ0034-0R0W	NET RESISTOR	0Ω	C3022		NCFA1AZ-104W	CAPACITOR	0.1μF,10V

#	△ REF No.	PART No.	PART NAME, DESCRIPTION	#	△ REF No.	PART No.	PART NAME, DESCRIPTION
C3023		NCFA1AZ-104W	CAPACITOR 0.1μF,10V	C4021		NBE90JM-106X	T CAPACITOR 10μF,6.3V
C3024		NCFA1AZ-104W	CAPACITOR 0.1μF,10V	C4022		NCBA1CK-103W	CAPACITOR 0.01μF,16V
C3025		NCFA1AZ-104W	CAPACITOR 0.1μF,10V	C4027		NCBA1AK-473W	CAPACITOR 0.047μF,10V
C3026		NBE90JM-106X	T CAPACITOR 10μF,6.3V	C4028		NCFA1AZ-104W	CAPACITOR 0.1μF,10V
C3027		NCFA1AZ-104W	CAPACITOR 0.1μF,10V	C4101		NCFA1AZ-104W	CAPACITOR 0.1μF,10V
C3028		NCFA1AZ-104W	CAPACITOR 0.1μF,10V	C4102		NCFA1AZ-104W	CAPACITOR 0.1μF,10V
C3029		NBE90JM-106X	T CAPACITOR 10μF,6.3V	C4103		NCBA1CK-103W	CAPACITOR 0.01μF,16V
C3030		NCFA1AZ-104W	CAPACITOR 0.1μF,10V	C4501		NBE90JM-106X	T CAPACITOR 10μF,6.3V
C3031		NCFA1AZ-104W	CAPACITOR 0.1μF,10V	C4502		NCFA1AZ-104W	CAPACITOR 0.1μF,10V
C3032		NCFA1AZ-104W	CAPACITOR 0.1μF,10V	C4503		NCFA1AZ-104W	CAPACITOR 0.1μF,10V
C3033		NCFA1AZ-104W	CAPACITOR 0.1μF,10V	C4504		NCFA1AZ-104W	CAPACITOR 0.1μF,10V
C3034		NCFA1AZ-104W	CAPACITOR 0.1μF,10V	C4505		NCFA1AZ-104W	CAPACITOR 0.1μF,10V
C3035		NCFA1AZ-104W	CAPACITOR 0.1μF,10V	C4506		NCFA1AZ-104W	CAPACITOR 0.1μF,10V
C3036		NCFA1AZ-104W	CAPACITOR 0.1μF,10V	C4507		NCFA1AZ-104W	CAPACITOR 0.1μF,10V
C3037		NCFA1AZ-104W	CAPACITOR 0.1μF,10V	C4508		NCFA1AZ-104W	CAPACITOR 0.1μF,10V
C3038		NCFA1AZ-104W	CAPACITOR 0.1μF,10V	C4509		NCFA1AZ-104W	CAPACITOR 0.1μF,10V
C3039		NCFA1AZ-104W	CAPACITOR 0.1μF,10V	C4511		NBE90JM-106X	T CAPACITOR 10μF,6.3V
C3040		NCFA1AZ-104W	CAPACITOR 0.1μF,10V	C5001		NBE90JM-106X	T CAPACITOR 10μF,6.3V
C3041		NCFA1AZ-104W	CAPACITOR 0.1μF,10V	C5002		NCFA1AZ-104W	CAPACITOR 0.1μF,10V
C3042		NBE90JM-106X	T CAPACITOR 10μF,6.3V	C5003		NBE90JM-106X	T CAPACITOR 10μF,6.3V
C3043		NBE90JM-106X	T CAPACITOR 10μF,6.3V	C5004		NCFA1AZ-104W	CAPACITOR 0.1μF,10V
C3045		NDCA1HJ-101W	CAPACITOR 100pF,50V	C5005		NBE90JM-106X	T CAPACITOR 10μF,6.3V
C3050		NCFA1AZ-104W	CAPACITOR 0.1μF,10V	C5006		NCFA1AZ-104W	CAPACITOR 0.1μF,10V
C3501		NBE90JM-106X	T CAPACITOR 10μF,6.3V	C5007		NCFA1AZ-104W	CAPACITOR 0.1μF,10V
C3502		NCFA1AZ-104W	CAPACITOR 0.1μF,10V	C5013		NCFA1AZ-104W	CAPACITOR 0.1μF,10V
C3503		NBE90JM-106X	T CAPACITOR 10μF,6.3V	C5014		NCFA1AZ-104W	CAPACITOR 0.1μF,10V
C3504		NCFA1AZ-104W	CAPACITOR 0.1μF,10V	C5015		NCFA1AZ-104W	CAPACITOR 0.1μF,10V
C3511		NCFA1AZ-104W	CAPACITOR 0.1μF,10V	C5016		NCFA1AZ-104W	CAPACITOR 0.1μF,10V
C3517		NCFA1AZ-104W	CAPACITOR 0.1μF,10V	C5017		NCFA1AZ-104W	CAPACITOR 0.1μF,10V
C3518		NCFA1AZ-104W	CAPACITOR 0.1μF,10V	C5018		NCFA1AZ-104W	CAPACITOR 0.1μF,10V
C3525		NCFA1AZ-104W	CAPACITOR 0.1μF,10V	C5019		NCFA1AZ-104W	CAPACITOR 0.1μF,10V
C3526		NBE90JM-106X	T CAPACITOR 10μF,6.3V	C5020		NCFA1AZ-104W	CAPACITOR 0.1μF,10V
C3527		NBE90JM-106X	T CAPACITOR 10μF,6.3V	C5021		NBE90JM-106X	T CAPACITOR 10μF,6.3V
C3528		NCFA1AZ-104W	CAPACITOR 0.1μF,10V	C5022		NCFA1AZ-104W	CAPACITOR 0.1μF,10V
C3529		NCFA1AZ-104W	CAPACITOR 0.1μF,10V	C5023		NCFA1AZ-104W	CAPACITOR 0.1μF,10V
C3530		NCFA1AZ-104W	CAPACITOR 0.1μF,10V	C5024		NCFA1AZ-104W	CAPACITOR 0.1μF,10V
C3701		NBE90JM-106X	T CAPACITOR 10μF,6.3V	C5025		NCFA1AZ-104W	CAPACITOR 0.1μF,10V
C3702		NCFA1AZ-104W	CAPACITOR 0.1μF,10V	C5501		NBE90JM-106X	T CAPACITOR 10μF,6.3V
C3703		NCFA1AZ-104W	CAPACITOR 0.1μF,10V	C5502		NCFA1AZ-104W	CAPACITOR 0.1μF,10V
C3704		NCFA1AZ-104W	CAPACITOR 0.1μF,10V	C5503		NDCA1HJ-100W	CAPACITOR 10pF,50V
C3705		NCFA1AZ-104W	CAPACITOR 0.1μF,10V	C5505		NCFA1AZ-104W	CAPACITOR 0.1μF,10V
C3706		NDCA1HJ-101W	CAPACITOR 100pF,50V	C5506		NCFA1AZ-104W	CAPACITOR 0.1μF,10V
C3801		NCFA1AZ-104W	CAPACITOR 0.1μF,10V	C5511		NBE90JM-106X	T CAPACITOR 10μF,6.3V
C3802		NCFA1AZ-104W	CAPACITOR 0.1μF,10V	C5512		NCFA1AZ-104W	CAPACITOR 0.1μF,10V
C3803		NCFA1AZ-104W	CAPACITOR 0.1μF,10V	C5513		NCFA1AZ-104W	CAPACITOR 0.1μF,10V
C3804		NCFA1AZ-104W	CAPACITOR 0.1μF,10V	C5514		NBE90JM-106X	T CAPACITOR 10μF,6.3V
C3805		NCFA1AZ-104W	CAPACITOR 0.1μF,10V	C5515		NBE90JM-106X	T CAPACITOR 10μF,6.3V
C3806		NCFA1AZ-104W	CAPACITOR 0.1μF,10V	C5516		NCFA1AZ-104W	CAPACITOR 0.1μF,10V
C3807		NCFA1AZ-104W	CAPACITOR 0.1μF,10V	C5517		NCFA1AZ-104W	CAPACITOR 0.1μF,10V
C3808		NCFA1AZ-104W	CAPACITOR 0.1μF,10V	C5518		NBE90JM-106X	T CAPACITOR 10μF,6.3V
C3809		NCFA1AZ-104W	CAPACITOR 0.1μF,10V	C5519		NCFA1AZ-104W	CAPACITOR 0.1μF,10V
C4001		NCBA1CK-103W	CAPACITOR 0.01μF,16V	C5520		NCBA1CK-103W	CAPACITOR 0.01μF,16V
C4002		NCBA1CK-103W	CAPACITOR 0.01μF,16V	C5521		NCBA1CK-103W	CAPACITOR 0.01μF,16V
C4003		NBE90JM-106X	T CAPACITOR 10μF,6.3V	C5522		NCBA1CK-103W	CAPACITOR 0.01μF,16V
C4011		NCBA1CK-103W	CAPACITOR 0.01μF,16V	C5523		NCBA1CK-103W	CAPACITOR 0.01μF,16V
C4012		NDCA1HJ-100W	CAPACITOR 10pF,50V	C5524		NCBA1CK-103W	CAPACITOR 0.01μF,16V
C4013		NCBA1CK-103W	CAPACITOR 0.01μF,16V	C5525		NCBA1CK-103W	CAPACITOR 0.01μF,16V
C4015		NCBA1CK-103W	CAPACITOR 0.01μF,16V	C5526		NCBA1CK-103W	CAPACITOR 0.01μF,16V
C4016		NCBA1CK-103W	CAPACITOR 0.01μF,16V	C5527		NCBA1CK-103W	CAPACITOR 0.01μF,16V
C4017		NCFA1AZ-104W	CAPACITOR 0.1μF,10V	C5528		NCBA1CK-103W	CAPACITOR 0.01μF,16V
C4018		NCBA1CK-103W	CAPACITOR 0.01μF,16V	C5529		NCBA1CK-103W	CAPACITOR 0.01μF,16V

#	△ REF No.	PART No.	PART NAME, DESCRIPTION	
R1030		NRSA6AJ-0R0W	MG RESISTOR	0Ω,1/16W
R1033		NRSA6AJ-220W	MG RESISTOR	22Ω,1/16W
R1034		NRSA6AJ-0R0W	MG RESISTOR	0Ω,1/16W
R1037		NRSA6AJ-0R0W	MG RESISTOR	0Ω,1/16W
R1038		NRSA6AJ-0R0W	MG RESISTOR	0Ω,1/16W
C1001		NBP41CM-106X	T CAPACITOR	10μF,16V
C1002		NCFA1AZ-104W	CAPACITOR	0.1μF,10V
C1003		NBP41VM-225X	T CAPACITOR	2.2μF,35V
C1004		NCFA1AZ-104W	CAPACITOR	0.1μF,10V
C1005		NBM90JM-106X	T CAPACITOR	10μF,6.3V
C1006		NCFA1AZ-104W	CAPACITOR	0.1μF,10V
C1007		NCFA1AZ-104W	CAPACITOR	0.1μF,10V
C1008		NBP41VM-225X	T CAPACITOR	2.2μF,35V
C1009		NCFA1AZ-104W	CAPACITOR	0.1μF,10V
C1010		NCB31HK-222X	CAPACITOR	0.0022μF,50V
C1011		NCFA1AZ-104W	CAPACITOR	0.1μF,10V
C1012		NCFA1AZ-104W	CAPACITOR	0.1μF,10V
C1013		NCFA1AZ-104W	CAPACITOR	0.1μF,10V
C1014		NCFA1AZ-104W	CAPACITOR	0.1μF,10V
C1015		NCFA1AZ-104W	CAPACITOR	0.1μF,10V
C1016		NCFA1AZ-104W	CAPACITOR	0.1μF,10V
C1017		NCFA1AZ-104W	CAPACITOR	0.1μF,10V
C1018		NCFA1AZ-104W	CAPACITOR	0.1μF,10V
C1019		NBP21EM-105X	T CAPACITOR	1μF,25V
C1020		NCFA1AZ-104W	CAPACITOR	0.1μF,10V
C1021		NBM90JM-106X	T CAPACITOR	10μF,6.3V
C1022		NBP41CM-106X	T CAPACITOR	10μF,16V
C1024		NCFA1AZ-104W	CAPACITOR	0.1μF,10V
C1027		NCFA1AZ-104W	CAPACITOR	0.1μF,10V
C1028		NBE90JM-106X	T CAPACITOR	10μF,6.3V
C1029		NCFA1AZ-104W	CAPACITOR	0.1μF,10V
L1001		NQR0129-002X	FERRITE BEADS	
L1002		NQL045K-100X	COIL	10μH
L1003		NQR0129-002X	FERRITE BEADS	
L1004		NQL045K-100X	COIL	10μH
L1005		NQR0129-002X	FERRITE BEADS	
L1006		NQL045K-100X	COIL	10μH
L1008		NQL045K-100X	COIL	10μH
L1009		NQR0129-002X	FERRITE BEADS	
CN1001		QGF0507F1-28X	CONNECTOR,MAIN CN1001	

#	△ REF No.	PART No.	PART NAME, DESCRIPTION	
Q9002		2SK1830	MOS FET	
Q9003		RN1104FT	TRANSISTOR	
Q9004		2SK1830	MOS FET	
Q9005		CPH3303	MOS FET	
Q9006		RN1104FT	TRANSISTOR	
Q9007		CPH3116	TRANSISTOR	
Q9201		CPH3303	MOS FET	
Q9205		HN1A01FU/G/-X	PAIR TRANSISTOR	
Q9206		2SC4617/QR/-X	TRANSISTOR	
Q9207		CPH6301	MOS FET	
Q9208		CPH6401	MOS FET	
Q9301		CPH6303	MOS FET	
Q9302		CPH6401	MOS FET	
Q9303		CPH6303	MOS FET	
Q9304		2SA1774/QR/-X	TRANSISTOR	
Q9305		2SC4617/QR/-X	TRANSISTOR	
Q9306		CPH6401	MOS FET	
Q9307		RN1104FT	TRANSISTOR	
Q9402		CPH6301	MOS FET	
Q9404		CPH3303	MOS FET	
D7301		UDZ2.7B	ZENER DIODE	
D7302		MA365	VARI CAP DIODE	
D9001		CRS06	SB DIODE	
D9201		1SS357	SB DIODE	
D9202		SBE002	SB DIODE	
D9203		1SS357	SB DIODE	
D9204		1SS357	SB DIODE	
D9205		CRS06	SB DIODE	
D9301		CRS06	SB DIODE	
D9302		1SS355	DIODE	
D9303		1SS355	DIODE	
D9306		CRS06	SB DIODE	
D9401		CRS06	SB DIODE	
D9404		SBS006	SB DIODE	
R7202		NRVA6AD-911W	CMF RESISTOR	910Ω,1/16W
R7203		NRVA6AD-183W	CMF RESISTOR	18kΩ,1/16W
R7204		NRVA6AD-222W	CMF RESISTOR	2.2kΩ,1/16W
R7205		NRSA6AJ-0R0W	MG RESISTOR	0Ω,1/16W
R7206		NRSA6AJ-0R0W	MG RESISTOR	0Ω,1/16W
R7301		NRSA6AJ-102W	MG RESISTOR	1kΩ,1/16W
R7302		NRVA6AD-333W	CMF RESISTOR	33kΩ,1/16W
R7303		NRSA6AJ-0R0W	MG RESISTOR	0Ω,1/16W
R7304		NRSA6AJ-0R0W	MG RESISTOR	0Ω,1/16W
R7305		NRSA6AJ-0R0W	MG RESISTOR	0Ω,1/16W
R7306		NRVA6AD-153W	CMF RESISTOR	15kΩ,1/16W
R7307		NRVA6AD-183W	CMF RESISTOR	18kΩ,1/16W
R7308		NRVA6AD-223W	CMF RESISTOR	22kΩ,1/16W
R7309		NRSA6AJ-100W	MG RESISTOR	10Ω,1/16W
R7310		NRSA6AJ-100W	MG RESISTOR	10Ω,1/16W
R7311		NRSA6AJ-100W	MG RESISTOR	10Ω,1/16W
R7312		NRSA6AJ-100W	MG RESISTOR	10Ω,1/16W
R7313		NRSA6AJ-271W	MG RESISTOR	270Ω,1/16W
R7315		NRSA6AJ-0R0W	MG RESISTOR	0Ω,1/16W
R7316		NRSA6AJ-0R0W	MG RESISTOR	0Ω,1/16W
R7318		NRSA6AJ-223W	MG RESISTOR	22kΩ,1/16W
R7319		NRSA6AJ-223W	MG RESISTOR	22kΩ,1/16W
R7321		NRSA6AJ-103W	MG RESISTOR	10kΩ,1/16W
R7322		NRSA6AJ-102W	MG RESISTOR	1kΩ,1/16W
R7323		NRSA6AJ-103W	MG RESISTOR	10kΩ,1/16W
R7324		NRVA6AD-331W	CMF RESISTOR	330Ω,1/16W
R7325		NRSA6AJ-333W	MG RESISTOR	33kΩ,1/16W

MONI REG BOARD ASSEMBLY <03>

OT1	LY42505-001A	SEELD SHEET(REG)
PW4	YB10283P4-04	MONI REG BOARD ASSEMBLY
IC7202	TK11900M	IC
IC7301	TA75S01F	IC
IC7302	CXA3268AR-B	IC
IC9001	S-80824ANNP-W	IC
IC9002	SB2020P-332A-W	IC
IC9101	FA3676F	IC
Q7301	DTC144EE	TRANSISTOR
Q7302	2SA1774/QR/-X	TRANSISTOR
Q7303	2SA1577/QR/-X	TRANSISTOR
Q7304	UMZ1N	PAIR TRANSISTOR
Q7305	UMZ1N	PAIR TRANSISTOR

#	△	REF No.	PART No.	PART NAME, DESCRIPTION	#	△	REF No.	PART No.	PART NAME, DESCRIPTION
R7327			NRSA6AJ-0R0W	MG RESISTOR	R9316			NRSA6AJ-473W	MG RESISTOR
R7329			NRSA6AJ-0R0W	MG RESISTOR	R9401			NRSA6AJ-4R7W	MG RESISTOR
R7330			NRSA6AJ-103W	MG RESISTOR	R9402			NRVA6AD-223W	CMF RESISTOR
R7331			NRSA6AJ-472W	MG RESISTOR	R9403			NRVA6AD-103W	CMF RESISTOR
R7332			NRVA6AD-512W	CMF RESISTOR	R9405			NRSA6AJ-4R7W	MG RESISTOR
R7333			NRVA6AD-243W	CMF RESISTOR	R9408			NRSA6AJ-4R7W	MG RESISTOR
R7335			NRSA6AJ-472W	MG RESISTOR	R9409			NRVA6AD-203W	CMF RESISTOR
R7340			NRSA6AJ-274W	MG RESISTOR	R9410			NRVA6AD-103W	CMF RESISTOR
R7341			NRSA6AJ-104W	MG RESISTOR	C7203			NCB11CK-105X	CAPACITOR
R7342			NRSA6AJ-104W	MG RESISTOR	C7204			NCBA1CK-103W	CAPACITOR
R7345			NRSA6AJ-224W	MG RESISTOR	C7205			NBP41DM-106X	T CAPACITOR
R7346			NRSA6AJ-682W	MG RESISTOR	C7208			NBE20JM-106X	T CAPACITOR
R7347			NRSA6AJ-0R0W	MG RESISTOR	C7301			NBE20JM-106X	T CAPACITOR
R7348			NRSA6AJ-0R0W	MG RESISTOR	C7302			NBE20JM-226X	T CAPACITOR
R7350			NRSA6AJ-103W	MG RESISTOR	C7303			NCBA1AK-104W	CAPACITOR
R7358			NRSA6AJ-0R0W	MG RESISTOR	C7304			NCBA1CK-103W	CAPACITOR
R7359			NRSA63J-0R0X	MG RESISTOR	C7305			NCBA1CK-103W	CAPACITOR
R7361			NRSA6AJ-0R0W	MG RESISTOR	C7306			NCB21AK-105X	CAPACITOR
R7362			NRSA6AJ-0R0W	MG RESISTOR	C7307			NCB21AK-105X	CAPACITOR
R9001			NRVA6AD-302W	CMF RESISTOR	C7308			NCB21AK-105X	CAPACITOR
R9005			NRSA6AJ-104W	MG RESISTOR	C7309			NBP41CM-106X	T CAPACITOR
R9006			NRSA6AJ-104W	MG RESISTOR	C7310			NBP41DM-106X	T CAPACITOR
R9007			NRSA6AJ-104W	MG RESISTOR	C7311			NCB31CK-104X	CAPACITOR
R9009			NRSA6AJ-104W	MG RESISTOR	C7312			NCB21AK-105X	CAPACITOR
R9010			NRSA6AJ-102W	MG RESISTOR	C7313			NBP41DM-106X	T CAPACITOR
R9011			NRSA6AJ-473W	MG RESISTOR	C7314			NCB31CK-104X	CAPACITOR
R9012			NRSA6AJ-0R0W	MG RESISTOR	C7315			NBE20JM-226X	T CAPACITOR
R9103			NRSA6AJ-104W	MG RESISTOR	C7316			NCBA1AK-104W	CAPACITOR
R9104			NRSA6AJ-753W	MG RESISTOR	C7317			NCB30JK-105X	CAPACITOR
R9105			NRSA6AJ-0R0W	MG RESISTOR	C7318			NCBA1AK-104W	CAPACITOR
R9107			NRSA6AJ-104W	MG RESISTOR	C7319			NCBA1AK-104W	CAPACITOR
R9108			NRSA6AJ-223W	MG RESISTOR	C7320			NCBA1AK-104W	CAPACITOR
R9109			NRSA6AJ-223W	MG RESISTOR	C7321			NDC31HJ-300X	CAPACITOR
R9110			NRVA6AD-153W	CMF RESISTOR	C7322			NCB31HK-102X	CAPACITOR
R9111			NRVA6AD-472W	CMF RESISTOR	C7323			NCBA1CK-103W	CAPACITOR
R9202			NRSA6AJ-4R7W	MG RESISTOR	C7324			NCBA1EK-682W	CAPACITOR
R9204			NRVA6AD-272W	CMF RESISTOR	C7325			NBP21CM-335X	T CAPACITOR
R9205			NRVA6AD-392W	CMF RESISTOR	C7330			NBE20JM-226X	T CAPACITOR
R9206			NRVA6AD-683W	CMF RESISTOR	C7331			NCBA1AK-104W	CAPACITOR
R9207			NRSA6AJ-274W	MG RESISTOR	C7332			NCB21AK-105X	CAPACITOR
R9210			NRVA6AD-683W	CMF RESISTOR	C7335			NBE21AM-106X	T CAPACITOR
R9212			NRVA6AD-683W	CMF RESISTOR	C7336			NCB31CK-104X	CAPACITOR
R9213			NRSA6AJ-333W	MG RESISTOR	C7337			NCB21AK-105X	CAPACITOR
R9214			NRSA6AJ-333W	MG RESISTOR	C7338			NCB11CK-105X	CAPACITOR
R9215			NRSA6AJ-0R0W	MG RESISTOR	C7339			NCB31CK-104X	CAPACITOR
R9216			NRSA6AJ-4R7W	MG RESISTOR	C7345			NBP41DM-106X	T CAPACITOR
R9217			NRSA6AJ-4R7W	MG RESISTOR	C9002			NCB31EK-103X	CAPACITOR
R9218			NRVA6AD-153W	CMF RESISTOR	C9003			NCB31CK-104X	CAPACITOR
R9219			NRVA6AD-103W	CMF RESISTOR	C9004			NBE41AM-476X	T CAPACITOR
R9301			NRSA6AJ-105W	MG RESISTOR	C9005			NCBA1HK-222W	CAPACITOR
R9302			NRSA6AJ-472W	MG RESISTOR	C9006			NBE41AM-476X	T CAPACITOR
R9303			NRSA6AJ-473W	MG RESISTOR	C9007			NCB21CK-105X	CAPACITOR
R9304			NRSA6AJ-185W	MG RESISTOR	C9008			NBE90JM-106X	T CAPACITOR
R9305			NRVA6AD-623W	CMF RESISTOR	C9101			NCB21CK-105X	CAPACITOR
R9306			NRVA6AD-123W	CMF RESISTOR	C9102			NBE41AM-476X	T CAPACITOR
R9308			NRSA6AJ-473W	MG RESISTOR	C9103			NCB21CK-105X	CAPACITOR
R9309			NRSA6AJ-473W	MG RESISTOR	C9104			NBE41AM-106X	T CAPACITOR
R9310			NRSA6AJ-4R7W	MG RESISTOR	C9105			NCB21CK-105X	CAPACITOR
R9311			NRVA6AD-393W	CMF RESISTOR	C9107			NCB21CK-105X	CAPACITOR
R9312			NRVA6AD-103W	CMF RESISTOR	C9108			NCB31EK-103X	CAPACITOR
R9315			NRSA6AJ-4R7W	MG RESISTOR	C9109			NCB21CK-105X	CAPACITOR
				0Ω,1/16W					47kΩ,1/16W
				0Ω,1/16W					4.7Ω,1/16W
				10kΩ,1/16W					22kΩ,1/16W
				4.7kΩ,1/16W					10kΩ,1/16W
				5.1kΩ,1/16W					4.7Ω,1/16W
				24kΩ,1/16W					4.7Ω,1/16W
				4.7kΩ,1/16W					20kΩ,1/16W
				270kΩ,1/16W					10kΩ,1/16W
				100kΩ,1/16W					1μF,16V
				100kΩ,1/16W					0.01μF,16V
				220kΩ,1/16W					10μF,20V
				6.8kΩ,1/16W					10μF,6.3V
				0Ω,1/16W					10μF,6.3V
				0Ω,1/16W					22μF,6.3V
				10kΩ,1/16W					0.1μF,10V
				0Ω,1/16W					0.01μF,16V
				0Ω,1/16W					0.01μF,16V
				0Ω,1/16W					1μF,10V
				0Ω,1/16W					1μF,10V
				3kΩ,1/16W					1μF,10V
				100kΩ,1/16W					10μF,16V
				100kΩ,1/16W					10μF,20V
				100kΩ,1/16W					0.1μF,16V
				100kΩ,1/16W					1μF,10V
				1kΩ,1/16W					10μF,20V
				47kΩ,1/16W					0.1μF,16V
				0Ω,1/16W					22μF,6.3V
				100kΩ,1/16W					0.1μF,10V
				75kΩ,1/16W					1μF,6.3V
				0Ω,1/16W					0.1μF,10V
				100kΩ,1/16W					0.1μF,10V
				22kΩ,1/16W					0.1μF,10V
				22kΩ,1/16W					30pF,50V
				15kΩ,1/16W					0.001μF,50V
				4.7kΩ,1/16W					0.01μF,16V
				4.7Ω,1/16W					0.0068μF,25V
				2.7kΩ,1/16W					3.3μF,16V
				3.9kΩ,1/16W					22μF,6.3V
				68kΩ,1/16W					0.1μF,10V
				270kΩ,1/16W					1μF,10V
				68kΩ,1/16W					10μF,10V
				68kΩ,1/16W					0.1μF,16V
				33kΩ,1/16W					1μF,10V
				33kΩ,1/16W					1μF,16V
				0Ω,1/16W					0.1μF,16V
				4.7Ω,1/16W					10μF,20V
				4.7Ω,1/16W					0.01μF,25V
				15kΩ,1/16W					0.1μF,16V
				10kΩ,1/16W					47μF,10V
				1MΩ,1/16W					0.0022μF,50V
				4.7kΩ,1/16W					47μF,10V
				47kΩ,1/16W					1μF,16V
				1.8MΩ,1/16W					10μF,6.3V
				62kΩ,1/16W					1μF,16V
				12kΩ,1/16W					47μF,10V
				47kΩ,1/16W					1μF,16V
				47kΩ,1/16W					10μF,10V
				4.7Ω,1/16W					1μF,16V
				39kΩ,1/16W					1μF,16V
				10kΩ,1/16W					0.01μF,25V
				4.7Ω,1/16W					1μF,16V

#	△	REF No.	PART No.	PART NAME, DESCRIPTION	#	△	REF No.	PART No.	PART NAME, DESCRIPTION
R7109			NRSA6AJ-103W	MG RESISTOR	R6501			NRSA63J-5R6X	MG RESISTOR
R7110			NRSA6AJ-563W	MG RESISTOR	R6502			NRSA63J-4R7X	MG RESISTOR
R7111			NRSA63J-0R0X	MG RESISTOR	R6503			NRSA63J-103X	MG RESISTOR
C101			NCFA1AZ-104W	CAPACITOR	R6504			NRSA63J-471X	MG RESISTOR
C102			NBE40JM-106X	T CAPACITOR	R6505			NRSA63J-222X	MG RESISTOR
C103			NCFA1AZ-104W	CAPACITOR	R6506			NRSA63J-152X	MG RESISTOR
C104			NBE90JM-106X	T CAPACITOR	R6507			NRSA02J-106X	MG RESISTOR
C105			NCFA1AZ-104W	CAPACITOR	R6508			NRVA63D-184X	CMF RESISTOR
C106			NCBA1CK-103W	CAPACITOR	R6511			NRSA63J-473X	MG RESISTOR
C107			NCBA1CK-103W	CAPACITOR	R6514			NRSA02J-105X	MG RESISTOR
C109			NCFA1AZ-104W	CAPACITOR	R6515			NRSA181J-220X	MG RESISTOR
C111			NBE60GM-337X	T CAPACITOR	R6516			NRSA02J-104X	MG RESISTOR
C114			NCBA1CK-103W	CAPACITOR	R6519			NRSA02J-106X	MG RESISTOR
C115			NCBA1CK-103W	CAPACITOR	R6520			NRSA63J-330X	MG RESISTOR
C116			NBE90JM-106X	T CAPACITOR	R6521			NRSA02J-0R0X	MG RESISTOR
C117			NCFA1AZ-104W	CAPACITOR	R6527			NRSA63J-391X	MG RESISTOR
C122			NCFA1AZ-104W	CAPACITOR	R6528			NRSA63J-391X	MG RESISTOR
C123			NBM90JM-106X	T CAPACITOR	R6529			NRSA63J-473X	MG RESISTOR
C7101			NCZ1011-220X	CAPACITOR	C6501			NBE41AM-336X	T CAPACITOR
C7102			NCZ1021-270X	CAPACITOR	C6502			NBE41AM-226X	T CAPACITOR
C7103			NFV41HJ-273X	MPPS CAPACITOR	C6503			NCB31EK-103X	CAPACITOR
C7105			NBE41AM-476X	T CAPACITOR	C6506			NCZ1008-333X	CAPACITOR
C7106			NCBA1CK-103W	CAPACITOR	C6507			NCZ1019-273X	CAPACITOR
C7107			NDC31HJ-151X	CAPACITOR	C6508			NCB31EK-103X	CAPACITOR
C7108			NCB11CK-105X	CAPACITOR	C6512			QEZ0504-137	E CAPACITOR
C7109			NCB31CK-104X	CAPACITOR	C6515			NCZ1019-273X	CAPACITOR
L101			NQL302N-100X	COIL	L6501			NQS0047-001	SW TRANSF
L102			NQL302N-100X	COIL	L6502			NQL302N-100X	COIL
L107			NRSA63J-0R0X	MG RESISTOR	L6503			NQL044K-470X	COIL
L7101			NQLZ010-680X	COIL	CN6501			QGB0801L1-14X	B-B CONNECTOR,MAIN CN6601
L7102			NQLZ010-220X	COIL					
T7101			NQS0046-001X	SW TRANSF					
J101			QNS0078-001	3.5 JACK,VIDEO OUT					
J102			NNZ0032-001X	USB CONNECTOR					
J103			QNA0001-001	DC JACK					
J104			NNZ0038-001X	D CONNECTOR					
CN101			QGF0506F1-38X	CONNECTOR,MAIN CN5501					
CN7101			QGZ4501F1-02W	CONNECTOR,BL					
△ F7101			NMFZ006-R40X-K	FUSE					

STROBE FLASH BOARD ASSEMBLY <05>

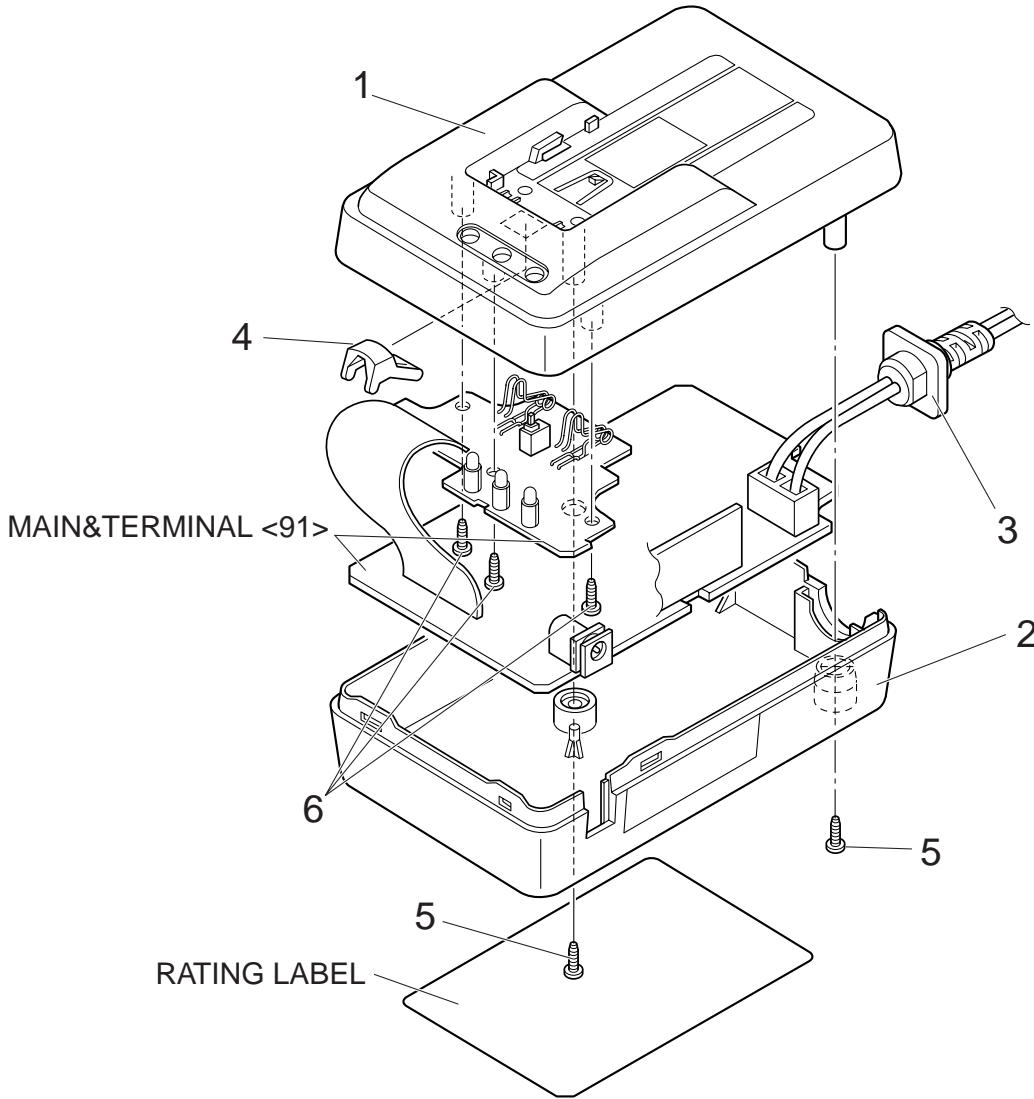
STR1	LY31453-001A	STROBE UNIT
PW3	YB10283P3-04	STROBE FLASH BOARD ASSEMBLY
IC6502	TC7SET08FU	IC(DIGITAL)
Q6501	2SB1462J/RS/-X	TRANSISTOR
Q6502	UN9211J	TRANSISTOR
Q6503	2SB1124/ST/-X	TRANSISTOR
Q6504	2SD1628/FG/-X	TRANSISTOR
Q6506	CT25ASJ-8-X	POW TRANSISTOR
Q6507	UMC3N	TRANSISTOR
D6501	F1F16	DIODE
D6502	DA121	DIODE
D6503	F1SN4	DIODE
D6504	F1N4	DIODE
D6505	SLR-342VR3F	LE DIODE,SELF

SECTION 5 AC POWER ADAPTER (AA-V37E/EK/EA)

SAFETY PRECAUTION

Parts identified by the ⚠ symbol are critical for safety. Replace only with specified part numbers.

5.1 CABINET ASSEMBLY <MA>




⚠ REF No. PART No. PART NAME, DESCRIPTION

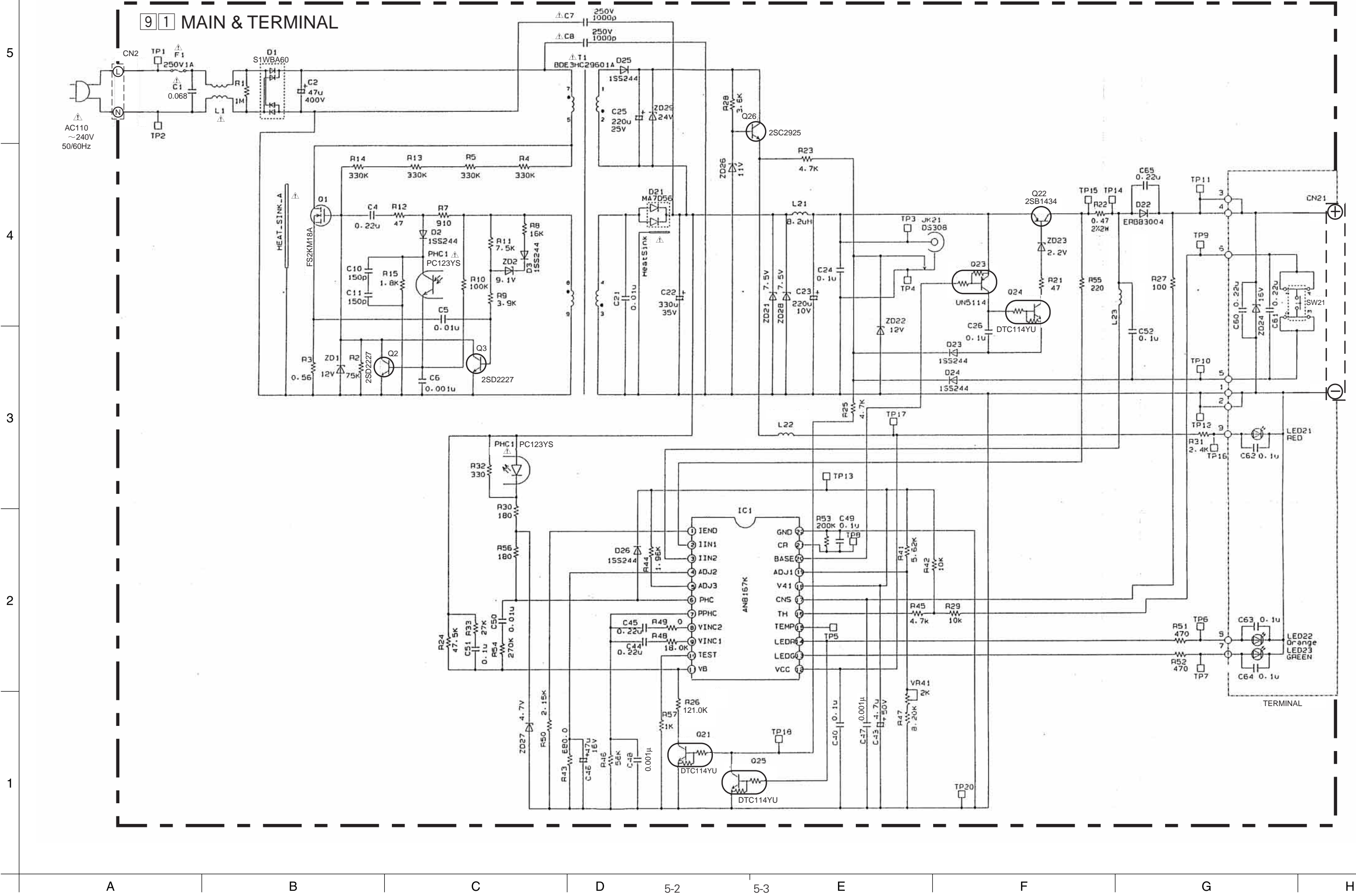
CABINET ASSEMBLY <MA>

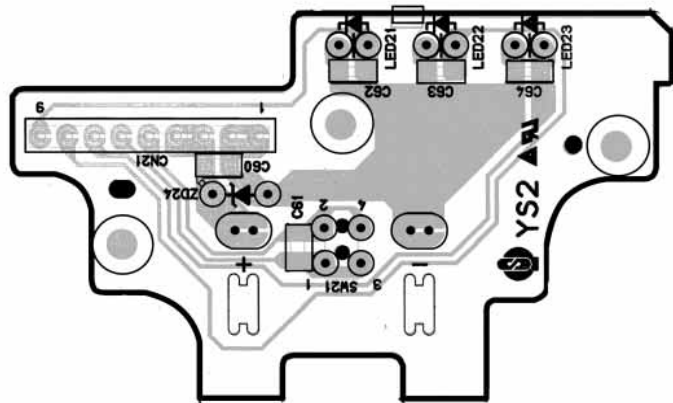
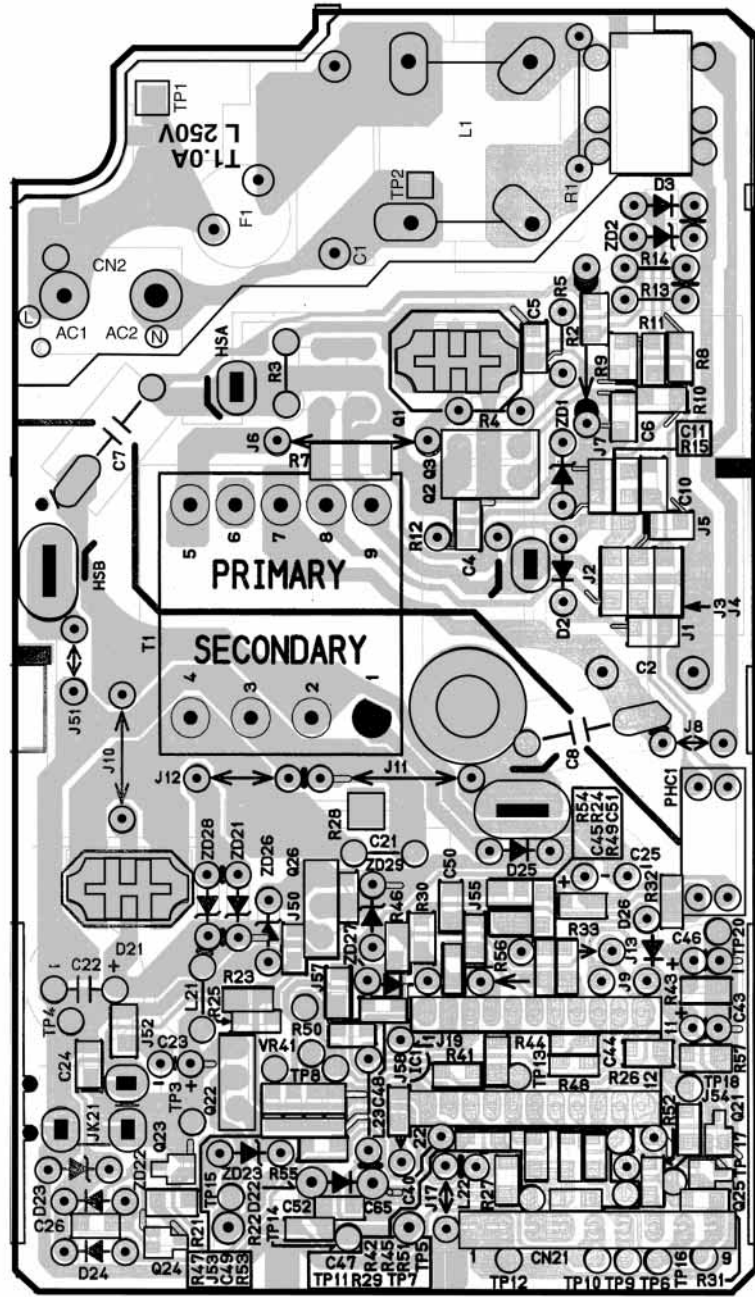
⚠ 1 ⚠ 2 ⚠ 3 ⚠ 4 5 6	PTY20545-013 PTY20483-023 YQ10531-006 PTY20080-034 PTY20545-054 YQ10531-011 PTY20545-055	UPPER CASE ASSY LOWER CASE POWER CORD, For E,EA POWER CORD, For EK SWITCH COVER TAP SCREW, x2 TAP SCREW, x3
------------------------------------	--	---

5.2 SCHEMATIC DIAGRAM

NOTE: When ordering parts, be sure to order according to the Part Number indicated in the Parts List.

Safety precautions
The components identified by the symbol  are critical for safety. For continued safety, replace safety critical components only with manufacturer's recommended parts.





5.4 ELECTRICAL PARTS LIST

#	REF No.	PART No.	PART NAME, DESCRIPTION	#	REF No.	PART No.	PART NAME, DESCRIPTION

MAIN & TERMINAL BOARD ASSEMBLY <91>							
PW1		PTY20545-503	MAIN&TERMINAL BOARD ASSY	R33		NRSA02J-273X	MG RESISTOR 27kΩ 1/10W
IC1		AN8167K	CHARGER IC	R41		NRSA02F-5621X	MG RESISTOR 5.62kΩ 1/10W
Q1		FS2KM18A	MOS FET	R42		NRSA02J-103X	MG RESISTOR 10kΩ 1/10W
Q2		2SD2227	TRANSISTOR	R43		NRSA02F-681X	MG RESISTOR 680Ω 1/10W
Q3		2SD2227	TRANSISTOR	R44		NRSA02F-1961X	MG RESISTOR 1.96kΩ 1/10W
Q21		DTC114YU-X	TRANSISTOR	R45		NRSA02J-472X	MG RESISTOR 4.7kΩ 1/10W
Q22		2SB1434	TRANSISTOR	R46		NRSA02J-563X	MG RESISTOR 56kΩ 1/10W
Q23		UN5114TX	TRANSISTOR	R47		NRSA02F-822X	MG RESISTOR 8.2kΩ 1/10W
Q24		DTC114YU-X	TRANSISTOR	R48		NRSA02F-183X	MG RESISTOR 18kΩ 1/10W
Q25		DTC114YU-X	TRANSISTOR	R49		NRSA02J-0R0X	MG RESISTOR 0Ω 1/10W
Q26		2SC2925TTA	TRANSISTOR	R50		NRSA02F-2151X	MG RESISTOR 2.15kΩ 1/10W
D1		S1WBA60	B DIODE 600V 1A	R51		NRSA02J-471X	MG RESISTOR 470Ω 1/10W
D2		1SS244T77	DIODE 200V 6A	R52		NRSA02J-471X	MG RESISTOR 470Ω 1/10W
D3		1SS244T77	DIODE 200V 6A	R53		NRSA02F-204X	MG RESISTOR 200kΩ 1/10W
D21		MA7D56	DIODE 60V 10A	R54		NRSA02J-274X	MG RESISTOR 270kΩ 1/10W
D22		ERB83004V1	DIODE 40V 1.7A	R55		NRSA02J-221X	MG RESISTOR 220Ω 1/10W
D23		1SS244T77	DIODE 200V 6A	R56		NRSA02J-181X	MG RESISTOR 180Ω 1/10W
D24		1SS244T77	DIODE 200V 6A	R57		NRSA02J-102X	MG RESISTOR 1kΩ 1/10W
D25		1SS244T77	DIODE 200V 6A	△ C1		PTY20292-303	CAPACITOR 0.068μF 275V
D26		1SS244T77	DIODE 200V 6A	C2		YQ10626-402	E CAPACITOR 47μF 400V
ZD1		MTZJ12C-T2	ZENER DIODE 12V 500mW	C4		NCB21CK-224X	CAPACITOR 0.22μF 16V
ZD2		MTZJ9.1B	ZENER DIODE 9.1V500mW	C5		PTY10067-653	CAPACITOR 0.01μF 50V
ZD21		MTZJ7.5B-T2	ZENER DIODE 7.5V500mW	C6		NCB21HK-102X	CAPACITOR 0.001μF 50V
ZD22		MTZJ12C-T2	ZENER DIODE 12V 500mW	△ C7		YQ10531-514	CAPACITOR 1000pF 250V
ZD23		MTZJ2.2A-T2	ZENER DIODE 2.2V 500mW	△ C8		YQ10531-514	CAPACITOR 1000pF 250V
ZD24		MTZJ16T-77	ZENER DIODE 16V 500mW	C10		NDC21HJ-151X	CAPACITOR 150pF 50V
ZD26		MTZJ11A-T2	ZENER DIODE 11V 500mW	C11		NDC21HJ-151X	CAPACITOR 150pF 50V
ZD27		MA4047N/M/-T2	ZENER DIODE 4.7V 0.37W	C21		PTY10067-657	CAPACITOR 0.01μF 250V
ZD28		MTZJ7.5B-T2	ZENER DIODE 7.5V 500mW	C22		PTY20545-621	E CAPACITOR 330μF 35V
ZD29		MTZJ24C-T2	ZENER DIODE 24V 500mW	C23		PTY20545-622	E CAPACITOR 220μF 10V
LED21		PTY20545-641	LED(RED)	C24		NCF21EZ-104X	CAPACITOR 0.1μF 25V
LED22		PTY20545-642	LED(ORANGE)	C25		PTY20545-623	E CAPACITOR 220μF 25V
LED23		PTY20545-643	LED(GREEN)	C26		NCF21EZ-104X	CAPACITOR 0.1μF 25V
R1		QRN141J-105Y	RESISTOR 1MΩ 1/4W	C40		QCBB1HK-104Y	CAPACITOR 0.1μF 50V
R2		NRSA02J-753X	MG RESISTOR 75kΩ 1/10W	C43		QEHA1HM-475	E CAPACITOR 4.7μF 50V
R3		PTY20545-601	MF RESISTOR 0.56Ω1W	C44		NCB21CK-224X	CAPACITOR 0.22μF 16V
R4		QRE141J-334Y	RESISTOR 330kΩ 1/4W	C45		PTY20545-624	E CAPACITOR 0.22μF 16V
R5		QRE141J-334Y	RESISTOR 330kΩ 1/4W	C46		PTY20545-624	E CAPACITOR 47μF 16V
R7		PTY20545-602	MG RESISTOR 910Ω1/2W	C47		NCB21HK-102X	CAPACITOR 0.001μF 50V
R8		NRSA02J-163X	MG RESISTOR 16kΩ 1/10W	C48		NCB21HK-102X	CAPACITOR 0.001μF 50V
R9		NRSA02J-392X	MG RESISTOR 3.9kΩ 1/10W	C49		NCB21EK-104X	CAPACITOR 0.1μF 25V
R10		NRSA02J-104X	MG RESISTOR 100kΩ 1/10W	C50		NCB21HK-103X	CAPACITOR 0.01μF 50V
R11		NRSA02J-752X	MG RESISTOR 7.5kΩ 1/10W	C51		NCB21EK-104X	CAPACITOR 0.1μF 25V
R12		QRE141J-470Y	RESISTOR 47Ω 1/4W	C52		NCF21HZ-104X	CAPACITOR 0.1μF 50V
R13		QRE141J-334Y	RESISTOR 330kΩ 1/4W	C60		PTY20545-625	CAPACITOR 0.22μF 25V
R14		QRE141J-334Y	RESISTOR 330kΩ 1/4W	C61		PTY20545-625	CAPACITOR 0.22μF 25V
R15		NRSA02J-182X	MG RESISTOR 1.8kΩ 1/10W	C62		NCF21EZ-104X	CAPACITOR 0.1μF 25V
R21		NRSA02J-470X	MG RESISTOR 47Ω 1/10W	C63		NCF21EZ-104X	CAPACITOR 0.1μF 25V
R22		PTY20545-603	MF RESISTOR 0.47Ω 2W	C64		NCF21EZ-104X	CAPACITOR 0.1μF 25V
R23		NRSA02J-472X	MG RESISTOR 4.7kΩ 1/10W	C65		NCB21CK-224X	CAPACITOR 0.22μF 16V
R24		NRSA02F-4752X	MG RESISTOR 47.5kΩ 1/10W	CN2		PTY20483-102	CONNECTOR
R25		NRSA02J-472X	MG RESISTOR 4.7kΩ 1/10W	△ L1		PTY20450-401	LINE FILTER
R26		NRSA02F-1213X	MG RESISTOR 121kΩ 1/10W	L21		PTY10067-703	COIL
R27		NRSA02J-101X	MG RESISTOR 100Ω 1/10W	L22		PTY20545-651	B INDUCTOR
R28		NRSA02J-362X	MG RESISTOR 3.6kΩ 1/10W	L23		PTY10067-707	B INDUCTOR 120mH
R29		NRSA02J-103X	MG RESISTOR 10kΩ 1/10W	△ HS1		PTY20483-071	HEAT SINK A
R30		NRSA02J-181X	MG RESISTOR 180Ω 1/10W	△ HS2		PTY20545-072	HEAT SINK B
R31		NRSA02J-242X	MG RESISTOR 2.4kΩ 1/10W	OT1		PTY10067-551	TAP SCREW,X2(HEAT SINK)
R32		NRSA02J-331X	MG RESISTOR 330Ω 1/10W	△ F1		PTY20450-041	FUSE 1A 250V
				JK21		YQ21032-301	DC JACK
				△ T1		PTY20545-661	SW TRANS
				SW21		PTY20545-662	SWITCH
				WR1		PTY20545-052	FLAT CABLE(9PIN),CN21
				LS1		PTY20545-053	LED SPACER,X3(LED21,LED22,LED23)
				TB1		PTY20545-051	TERMINAL,X4 (CN21, ⊕ ⊖)
				VR41		PTY20483-101	VOLUME 2kΩ
				△ PHC1		PC123YS	PHOTO COUPLER